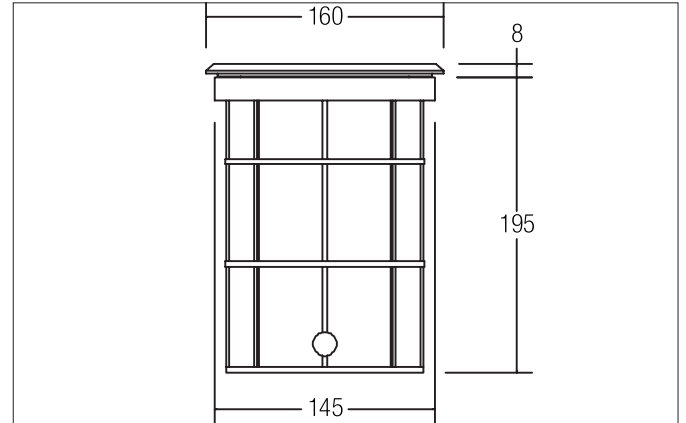


LED-floor recessed light, IP65

Article no. 14114223

Light.
For Generations.**Tender**

LED-floor recessed light, IP65, Round. Ceiling cut-out Ø 145 mm, Installation depth 195 mm, Outer diameter 160 mm, Weight 1,810 kg, with rotationssymmetrical, deep, wide distributed light intensity. optimal light distribution due to a glass transparent cover. Luminous flux 500 lm, Power 1 x 5 W, System Efficiency 100 lm/W, Light colour warm white, Correlated color temperature (CCT) 3.000 K, Colour rendering index CRI > 80, Housing material: Stainless steel / Aluminium / Glass, Colour: Stainless steel, Permissible ambient temperature (ta): -20 °C - +25 °C, Protection class (EN 61140): I, Degree of protection (DIN EN 60529): IP65, .With electronic driver, on/off switchable.

Article data	
Article no.	14114223
GTIN	4251433907275
Short description	LED-floor recessed light, IP65
Material	Stainless steel / Aluminium / Glass
Colour	Stainless steel
Shape	Round
Outer diameter	160 mm
Built-in diameter	145 mm
Installation depth	195 mm
Hight	4.5 mm
Scope of delivery	Including a converter for connection with the 230-V mains voltage, switchable, 2 x M16 screw connections for through-wiring and mounting sleeve
Weight	1.810 kg

LED-floor recessed light, IP65

Article no. 14114223

Light.
For Generations.

Lighting technology	
Colour temperature	3.000 K
Light colour	White
Luminous flux	500 lm
System efficiency	100 lm/W
Colour rendering	CRI > 80
Reflector	High-gloss
Beam angle	38°
Light sharing	Symmetric
Adjustable color temperature	No

Operating technology of the luminaire	
System output	5 W
Voltage type	AC
AC nominal voltage max	230 V
Frequency max	50 Hz
Lamp	LED
Lamp holder	Without fitting
Protection class	I
Degree of protection	IP65
Control	on/off

Mounting technology	
Mounting method	Recessed mounting
Place of installation	Floor-mounted
Adjustability	Pivoted
Swivel angle	20°
Max. load	500 kg
Over rollable	No
stamp	UKCA
Material cover	Glass transparent
Suitable for through-wiring	No

Packing data	
Gross weight	2.22 kg
Length of packaging	300 mm
Packaging width	300 mm
Packaging height	180 mm
Disposal at end of life	This product must not be disposed of with household waste. You are obliged, to dispose of such electrical waste separately. By disposing of electrical waste and other old or defective electronics separately, you support recycling or other forms of re-use. In that way you help to take care and to avoid that harmful substances get into the environment.