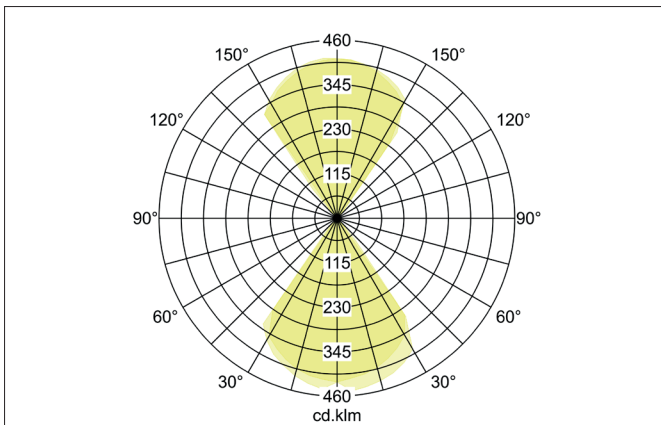
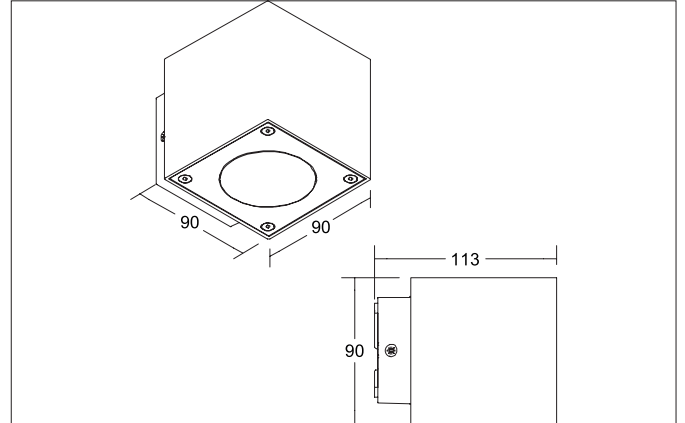


SELIA LED wall surface mounted luminaire, IP54
 Article no. 65237103

Tender

LED wall surface mounted luminaire, IP54, Rectangular. Luminaire length 110.0 mm, Luminaire width 90.0 mm, Hight 90.0 mm Weight 0.415 kg, with rotationssymmetrical, deep, wide distributed light intensity. Cover glass transparent. Luminous flux 221 lm, Power 2 x 3 W, Light colour warm white to warm white, Correlated color temprature (CCT) 3.000 - 3.000 K, Colour rendering index CRI > 80, Housing material: Aluminium / Glass / Plastic, Colour: Graphite structure, Permissible ambient temperature (ta): -20 to +45°C, Protection class (EN 61140): I, Degree of protection (DIN EN 60529): IP54. With electronic driver, on/off switchable.

Article data	
Article no.	65237103
GTIN	4251433982418
Series name	SELIA
Short description	LED wall surface mounted luminaire, IP54
Material	Aluminium / Glass / Plastic
Colour	Graphite
Type of surface	Structure
Shape	Rectangular
Length	110 mm
Width	90 mm
Hight	90 mm
Scope of delivery	incl. converter for connection to 230 V mains voltage, switchable
Weight	0.415 kg
Conformance	CE, UKCA

SELIA LED wall surface mounted luminaire, IP54

Article no. 65237103

Lighting technology	
Colour temperature	3.000 K
Light colour	White
Light output	Direct/Indirect
Luminous flux	221 lm
System efficiency	37 lm/W
McAdam-Step	McAdam-Step 6
Colour rendering	CRI > 80
Light sharing	Symmetric
Adjustable color temperature	No

Operating technology of the luminaire	
System output	6 W
Voltage type	AC
AC nominal voltage max	230 V
Frequency max	50 Hz
Frequency min	50 Hz
Lamp	LED
Lamp holder	Without fitting
Protection class	I
Degree of protection	IP54
Ambient temperature	-20 to +45 °C
Dimmable	No
Control	on/off
Bulb change possible	The light source of this luminaire may only be replaced by the manufacturer or a service technician commissioned by him or a similarly qualified person.

Mounting technology	
Mounting method	Surface mounting
Place of installation	Wall-mounted
Adjustability	Not adjustable
Further references	Outdoor
Material cover	Glass transparent
Suitable for through-wiring	No

Packing data	
Gross weight	0.493 kg
Length of packaging	200 mm
Packaging width	85 mm
Packaging height	120 mm
Disposal at end of life	This product must not be disposed of with household waste. You are obliged, to dispose of such electrical waste separately. By disposing of electrical waste and other old or defective electronics separately, you support recycling or other forms of re-use. In that way you help to take care and to avoid that harmful substances get into the environment.