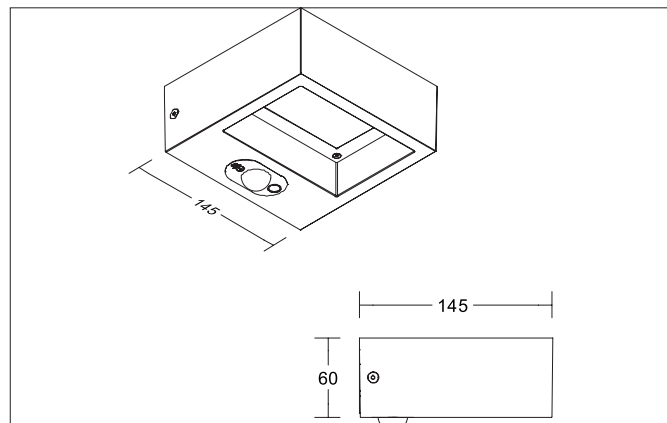


LIGEA LED solar wall surface mounted luminaire, IP54

Article no. 65281103

Light.
For Generations.**Tender**

LED solar wall surface mounted luminaire, IP54, Rectangular. Luminaire length 145.0 mm, Luminaire width 125.0 mm, Height 66.0 mm
 Weight 0.979 kg, with rotationssymmetrical, deep, wide distributed light intensity. Luminous flux 150 lm, Power 1 x 1,4 W, Light colour warm white to warm white, Correlated color temperature (CCT) 3.000 - 3.000 K, Colour rendering index CRI > 80, Housing material: Aluminium / Plastic, Colour: Graphite structure, Permissible ambient temperature (ta): -20 °C - +25 °C, Protection class (EN 61140): III, Degree of protection (DIN EN 60529): IP54, .For direct connection to mains voltage, on/off switchable.

Product Benefits

Charging time: 6 hrs at 100,000 lux sunlight.

Working time: 7 hrs at 100% power.

Working time: 18 hrs at 20% power.

LIGEA LED solar wall surface mounted luminaire, IP54

Article no. 65281103

Light.
For Generations.

Article data	
Article no.	65281103
GTIN	4251433982852
Series name	LIGEA
Short description	LED solar wall surface mounted luminaire, IP54
Material	Aluminium / Plastic
Colour	Graphite
Type of surface	Structure
Shape	Rectangular
Length	145 mm
Width	125 mm
Height	66 mm
Scope of delivery	- Charging time: 6 hrs at 100,000 lux sunlight. - Working time: 7 hrs at 100% power. - Working time: 18 hrs. at 20% power.
Weight	0.979 kg

Lighting technology	
Colour temperature	3.000 K
Light colour	White
Light output	Direct
Luminous flux	150 lm
System efficiency	107 lm/W
McAdam-Step	McAdam-Step 6
Colour rendering	CRI > 80
Beam angle	100°
Light sharing	Symmetric
Adjustable color temperature	No

Operating technology of the luminaire	
System output	1.4 W
Voltage type	DC
DC nominal voltage max	3.7 V
Frequenz max.	50 Hz
Lamp	LED
Lamp holder	Without fitting
Protection class	III
Degree of protection	IP54
Control	on/off
Bulb change possible	The light source of this luminaire may only be replaced by the manufacturer or a service technician commissioned by him or a similarly qualified person.

Mounting technology	
Mounting method	Surface mounting
Place of installation	Wall-mounted
Adjustability	Not adjustable
Further references	Outdoor
Suitable for through-wiring	No

LIGEA LED solar wall surface mounted luminaire, IP54

Article no. 65281103

Light.
For Generations.

Packing data	
Gross weight	1.088 kg
Length of packaging	200 mm
Packaging width	150 mm
Packaging height	150 mm
Disposal at end of life	<p>This product must not be disposed of with household waste. You are obliged, to dispose of such electrical waste separately.</p> <p>By disposing of electrical waste and other old or defective electronics separately, you support recycling or other forms of re-use. In that way you help to take care and to avoid that harmful substances get into the environment.</p>