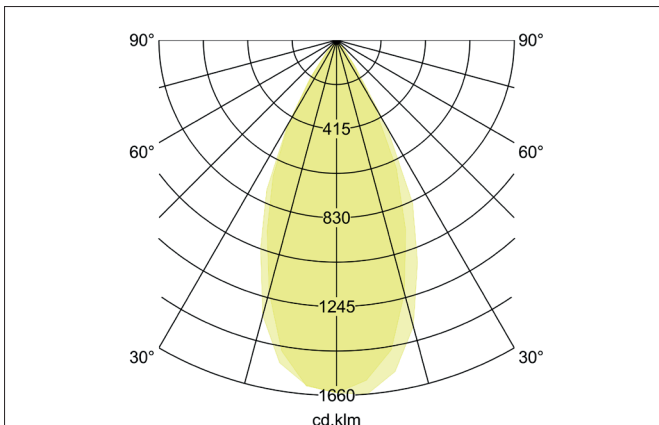
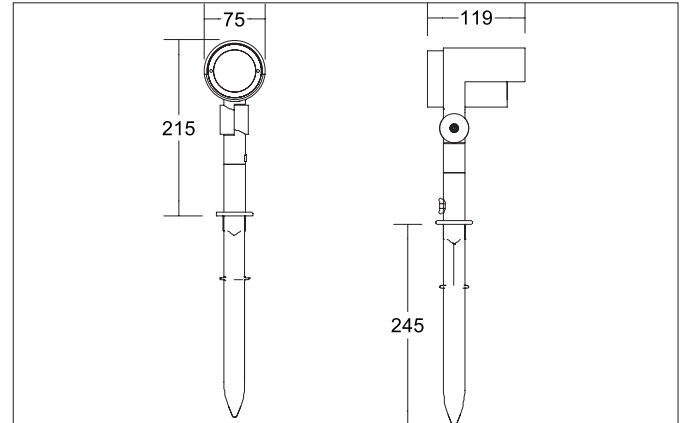


**LEGRA LED ground spike spotlight, 230 V AC, IP65**  
Article no. 65272103

Light.  
For Generations.



#### Tender

LED ground spike spotlight, 230 V AC, IP65, Other., Hight 215.0 mm Weight 0.953 kg, with rotationssymmetrical, deep, wide distributed light intensity. optimal light distribution due to a glass transparent cover. Luminous flux 830 lm, Power 1 x 15 W, Light colour warm white, Correlated color temprature (CCT) 3.000 K, Colour rendering index CRI > 80, Housing material: Aluminium / Glass / Plastic, Colour: Graphite structure, Permissible ambient temperature (ta): -20 °C - +25 °C, Protection class (EN 61140): I, Degree of protection (DIN EN 60529): IP65, .With electronic driver, on/off switchable.

Article data	
Article no.	65272103
GTIN	4251433982524
Series name	LEGRA
Short description	LED ground spike spotlight, 230 V AC, IP65
Material	Aluminium / Glass / Plastic
Colour	Graphite
Type of surface	Structure
Shape	Other
Length	119 mm
Hight	215 mm
Scope of delivery	incl. converter for connection to 230 V mains voltage, switchable
Weight	0.953 kg

**LEGRA LED ground spike spotlight, 230 V AC, IP65**

Article no. 65272103

Light.  
For Generations.

Lighting technology	
Colour temperature	3.000 K
Light colour	White
Light output	Direct
Luminous flux	830 lm
System efficiency	55 lm/W
McAdam-Step	McAdam-Step 6
Colour rendering	CRI > 80
Light sharing	Symmetric
Adjustable color temperature	No

Operating technology of the luminaire	
System output	15 W
Voltage type	AC
AC nominal voltage max	230 V
Frequenz max.	50 Hz
Frequenz min.	50 Hz
Lamp	LED
Lamp holder	Without fitting
Protection class	I
Degree of protection	IP65
Control	on/off
Bulb change possible	The light source of this luminaire may only be replaced by the manufacturer or a service technician commissioned by him or a similarly qualified person.

Mounting technology	
Mounting method	Surface mounting
Place of installation	Floor-mounted
Adjustability	Pivoted
Further references	Outdoor
Material cover	Glass transparent
Suitable for through-wiring	No

Packing data	
Gross weight	1.059 kg
Length of packaging	270 mm
Packaging width	270 mm
Packaging height	120 mm
Disposal at end of life	This product must not be disposed of with household waste. You are obliged, to dispose of such electrical waste separately. By disposing of electrical waste and other old or defective electronics separately, you support recycling or other forms of re-use. In that way you help to take care and to avoid that harmful substances get into the environment.