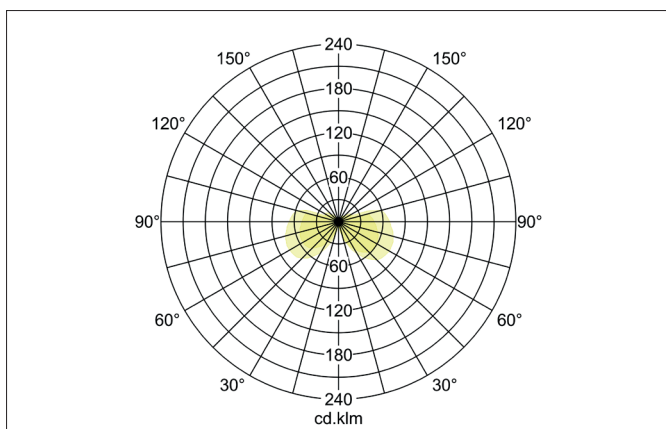
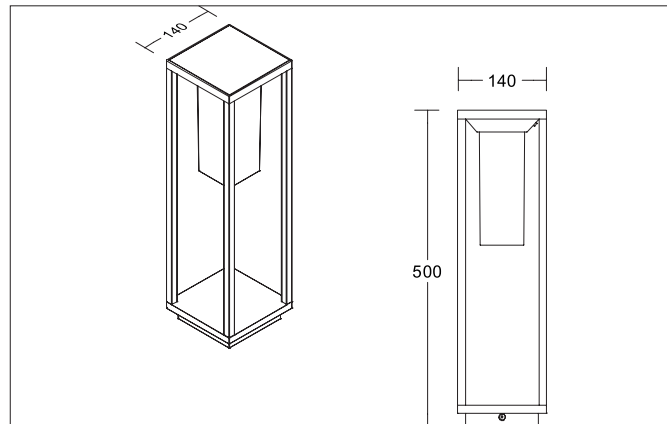


RUBI LED solar luminaire, IP54

Article no. 65321103

Light.
For Generations.**Tender**

LED solar luminaire, IP54, Rectangular. Luminaire length 140.0 mm, Luminaire width 140.0 mm, Height 500.0 mm Weight 1.646 kg, with rotationssymmetrical, deep, wide distributed light intensity. Luminous flux 196 lm, Power 1 x 2,2 W, Light colour warm white to warm white, Correlated color temprature (CCT) 3.000 - 3.000 K, Colour rendering index CRI > 80, Housing material: Aluminium / Glass / Plastic, Colour: Graphite structure, Permissible ambient temperature (ta): -20 °C - +25 °C, Protection class (EN 61140): III, Degree of protection (DIN EN 60529): IP54, .With electronic driver, on/off switchable.

Product Benefits

- 1 x 2,200 mA lithium battery.
- Charging time: Sun: 6 - 8 hrs.
- Working time: 2 - 3 hrs. at 100% power.
- Working time: 20 - 25 hrs. at 15% power.

RUBI LED solar luminaire, IP54

Article no. 65321103

Light.
For Generations.

Article data	
Article no.	65321103
GTIN	4251433982623
Series name	RUBI
Short description	LED solar luminaire, IP54
Material	Aluminium / Glass / Plastic
Colour	Graphite
Type of surface	Structure
Shape	Rectangular
Length	140 mm
Width	140 mm
Hight	500 mm
Weight	1.646 kg

Lighting technology	
Colour temperature	3.000 K
Light colour	White
Light output	Direct
Luminous flux	196 lm
System efficiency	89 lm/W
McAdam-Step	McAdam-Step 6
Colour rendering	CRI > 80
Light sharing	Symmetric
Adjustable color temperature	No

Operating technology of the luminaire	
System output	2.2 W
Voltage type	DC
AC nominal voltage max	230 V
DC nominal voltage max	3.7 V
Lamp	LED
Lamp holder	Without fitting
Protection class	III
Degree of protection	IP54
Control	on/off
Bulb change possible	The light source of this luminaire may only be replaced by the manufacturer or a service technician commissioned by him or a similarly qualified person.

Mounting technology	
Mounting method	Surface mounting
Place of installation	Floor-mounted
Adjustability	Not adjustable
Further references	Outdoor
Suitable for through-wiring	No

Packing data	
Gross weight	1.829 kg
Length of packaging	530 mm
Packaging width	200 mm
Packaging hight	200 mm
Disposal at end of life	This product must not be disposed of with household waste. You are obliged, to dispose of such electrical waste separately. By disposing of electrical waste and other old or defective electronics separately, you support recycling or other forms of re-use. In that way you help to take care and to avoid that harmful substances get into the environment.