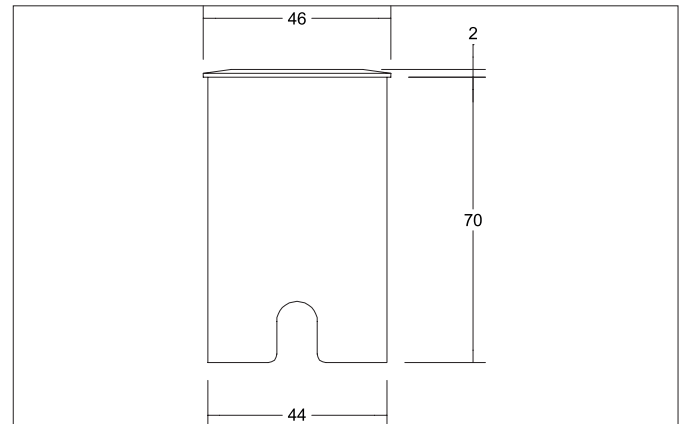
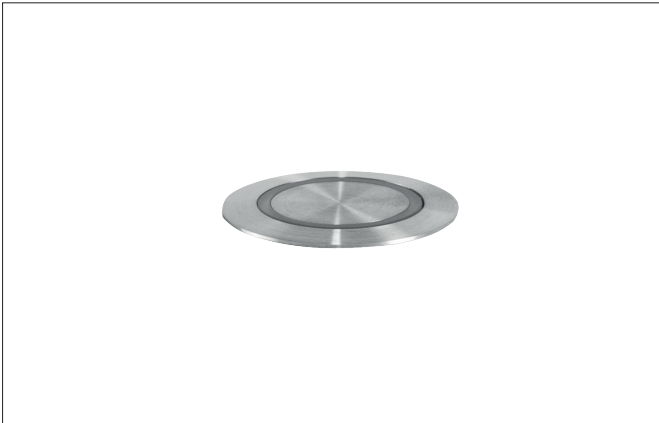


HYBRIDE MINI LED-floor recessed light, V4A, IP65

Article no. 14051223

Light.
For Generations.**Tender**

LED-floor recessed light, V4A, IP65, Round. Ceiling cut-out Ø 44 mm, Installation depth 70 mm, Outer diameter 46 mm, Weight 0,438 kg, with rotationssymmetrical, deep, wide distributed light intensity. optimal light distribution due to a glass opal cover. Luminous flux 3 lm, Power 1 x 1,4 W, System Efficiency 2 lm/W, Light colour warm white, Correlated color temperature (CCT) 3.000 K, Colour rendering index CRI > 80, Housing material: Stainless steel V4A / Aluminium / Glass, Colour: Stainless steel, Permissible ambient temperature (ta): -20 °C - +25 °C, Protection class (EN 61140): III, Degree of protection (DIN EN 60529): IP65, .For connection to an external driver, which is not included in the scope of delivery of the luminaire. Depending on driver dimmable.

Article data	
Article no.	14051223
GTIN	4251433925620
Series name	HYBRIDE MINI
Short description	LED-floor recessed light, V4A, IP65
Material	Stainless steel V4A / Aluminium / Glass
Colour	Stainless steel
Shape	Round
Outer diameter	46 mm
Built-in diameter	44 mm
Installation depth	70 mm
Scope of delivery	Incl. 3,000 mm connecting cable
Weight	0.438 kg

HYBRIDE MINI LED-floor recessed light, V4A, IP65

Article no. 14051223

Light.
For Generations.

Lighting technology	
Colour temperature	3.000 K
Light colour	White
Luminous flux	3 lm
System efficiency	2 lm/W
Colour rendering	CRI > 80
Reflector	Without
Beam angle	100°
Light sharing	Symmetric
Adjustable color temperature	No

Operating technology of the luminaire	
System output	1.4 W
Voltage type	DC
DC nominal voltage max	24 V
Lamp	LED
Lamp holder	Without fitting
Protection class	III
Degree of protection	IP65
Control	Depending on driver
Bulb change possible	The light source of this luminaire may only be replaced by the manufacturer or a service technician commissioned by him or a similarly qualified person.

Mounting technology	
Mounting method	Recessed mounting
Place of installation	Floor-mounted
Adjustability	Not adjustable
Over rollable	No
stamp	UKCA
Further references	V4A
Material cover	Glass opal
Suitable for through-wiring	Yes

Packing data	
Gross weight	0.491 kg
Length of packaging	128 mm
Packaging width	95 mm
Packaging height	70 mm
Disposal at end of life	This product must not be disposed of with household waste. You are obliged, to dispose of such electrical waste separately. By disposing of electrical waste and other old or defective electronics separately, you support recycling or other forms of re-use. In that way you help to take care and to avoid that harmful substances get into the environment.

Required accessories	
----------------------	--