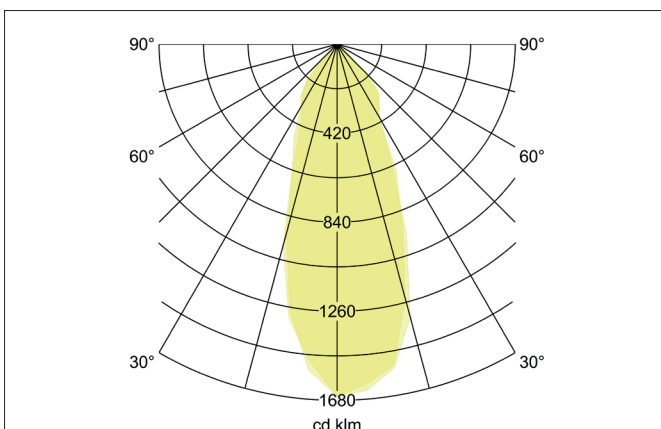
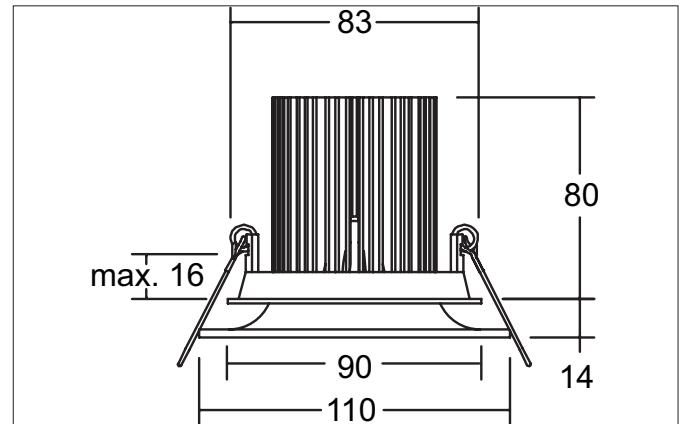


**CARESA LED recessed downlight set with indirect light component,
trailing-edge phase dimmable**

Article no. 39406073

**Tender**

Round LED recessed downlight, with indirect component, dimmable trailing edge, tool-free ceiling installation using installation springs. Ceiling cut-out Ø 83 mm, installation depth 80 mm, outer diameter 110 mm, weight 0.238 kg, silver reflector with rotationally symmetrical deep-wide beam light distribution. Transparent plastic cover, rated luminous flux 887 lm, rated wattage 1 x 10.5 W, light color warm white, most similar color temperature (CCT) 3,000 K, general color rendering index CRI > 80, service life L70/B50 at 25 °C: 50,000 h, housing material: aluminum / glass / plastic, color: white, permissible ambient temperature (ta): -20 °C - +25 °C, protection class (EN 61140): II, degree of protection (DIN EN 60529): IP20. With electronic control gear, trailing edge dimmable.

Product Benefits

- Recessed downlight in round design made of massive aluminum.
- Ceiling cutout 83 mm, outer diameter 110 mm, mounting depth 48 mm, Height 14 mm, luminous flux 887 lm, IP20.
- Recessed, indirect light for ceiling brightening.
- Complete set with dimmable converter (trailing-edge phase dimmer).

**CARESA LED recessed downlight set with indirect light component,
 trailing-edge phase dimmable**

Article no. 39406073

Article data	
Article no.	39406073
GTIN	4251433946397
Series name	CARESA
Short description	LED recessed downlight set with indirect light component, trailing-edge phase dimmable
Material	Aluminium / Glass / Plastic
Colour	White
Type of surface	Matt
Shape	Round
Outer diameter	110 mm
Built-in diameter	83 mm
Installation depth	80 mm
Hight	14 mm
Weight	0.238 kg
Conformance	CE, UKCA

Lighting technology	
Colour temperature	3.000 K
Light colour	White
Light output	Direct/Indirect
Luminous flux	887 lm
System efficiency	84 lm/W
Colour rendering	CRI > 80
Reflector	Faceted
Reflector colour	silver
Beam angle	34°
Light sharing	Symmetric
Adjustable color temperature	No

Operating technology of the luminaire	
System output	10.5 W
Voltage type	AC
AC nominal voltage max	230 V
Frequency max	50 Hz
Lamp	LED
Protection class	II
Degree of protection	IP20
Dimmable	Yes
Control	Trailing-edge phase
Bulb change possible	The light source of this luminaire may only be replaced by the manufacturer or a service technician commissioned by him or a similarly qualified person.
Rated life time L70/B50 at 25 °C	50,000 h

Operating technology of the luminaire	
Hight	14 mm
Lamp holder	Plug&Play
Power	10.5 W
Voltage type	DC
Current	350 mA
Lamp	LED
Protection class	III
Degree of protection	IP20
Rated life time L70/B50 at 25 °C	50,000 h
Bulb change possible	The light source of this luminaire may only be replaced by the manufacturer or a service technician commissioned by him or a similarly qualified person.

**CARESA LED recessed downlight set with indirect light component,
 trailing-edge phase dimmable**

Article no. 39406073

Operating technology of driver	
Article No. of used driver	17664000
Length	125 mm
Width	51 mm
Hight	20 mm
AC nominal voltage min	198 V
AC nominal voltage max	264 V
Frequency max	60 Hz
Dimmable	Yes
Control	Trailing-edge phase
Starting current	1.87 A, 48 µs
Power min	10.2 W
Power	14 W
Output current	350 mA
Degree of protection	IP20
Protection class	II

Operating technology of driver	
AC nominal voltage max	230 V
Frequency max	50 Hz
Protection class	II
Degree of protection	IP20
Power	10.5 W
Control	Trailing-edge phase

Mounting technology	
Mounting method	Recessed mounting
Place of installation	Ceiling-mounted
Adjustability	Not adjustable
Max. ceiling thickness	16 mm
Further references	No cover with thermal insulation material
Material cover	Plastic, transparent
Suitable for through-wiring	Yes, with optional accessories

Packing data	
Gross weight	0.334 kg
Length of packaging	145 mm
Packaging width	145 mm
Packaging hight	140 mm
Disposal at end of life	This product must not be disposed of with household waste. You are obliged, to dispose of such electrical waste separately. By disposing of electrical waste and other old or defective electronics separately, you support recycling or other forms of re-use. In that way you help to take care and to avoid that harmful substances get into the environment.

Optional accessories	
Article no.:	83330000
Connection box	230 V AC, 3-pole
Dimensions:	80 mm x 41 mm x 34 mm
	https://www.brumberg.com/fileadmin/products/Datenblatt_83330000_2021_DE.pdf