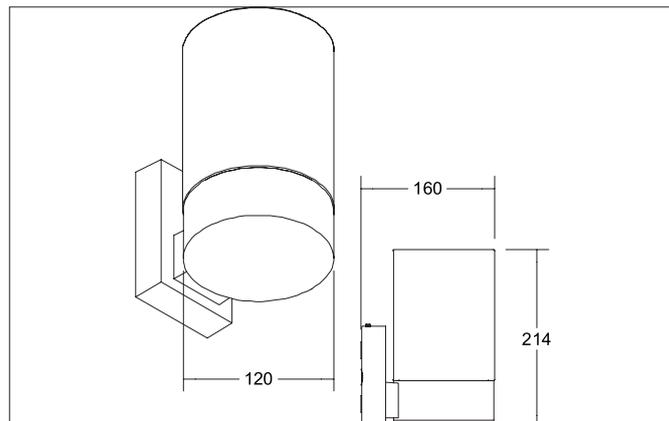


**COOQUEE Wall surface mounted luminaire, IP65**

Article no. 60140180

Light.  
For Generations.**Tender**

Wall surface mounted luminaire, IP65, black structure, Round. Surface mounting, Wall-mounted Lamp holder: E27, Mounting method: Surface mounting, Place of installation: Wall-mounted, Material: Aluminium / Glass / Plastic, Degree of protection: according to DIN EN 60529 IP65, Protection class: (EN 61140) I, Voltage: 230V AC 50Hz, Power: 8 W, Amount of light sources / fittings: 1 Qty, Beam angle: 360°, Adjustability: Not adjustable, without control gear, Control: Other.

Article data	
Article no.	60140180
GTIN	4251433950080
Series name	COOQUEE
Short description	Wall surface mounted luminaire, IP65
Material	Aluminium / Glass
Colour	Black
Type of surface	Structure
Shape	Round
Length	160 mm
Width	120 mm
Height	214 mm
Scope of delivery	for direct connection to 230 V mains voltage
Weight	1.428 kg

**COOQUEE Wall surface mounted luminaire, IP65**

Article no. 60140180

Light.  
For Generations.

Lighting technology	
Light output	Direct
Beam angle	360°
Light sharing	Symmetric
Adjustable color temperature	No

Operating technology of the luminaire	
Voltage type	AC
AC nominal voltage max	230 V
Frequenz max.	50 Hz
Lamp	For LED-retrofill lamp
Lamp holder	E27
Protection class	I
Degree of protection	IP65
Control	Other
Bulb change possible	Yes

Mounting technology	
Mounting method	Surface mounting
Place of installation	Wall-mounted
Adjustability	Not adjustable
stamp	UKCA
Material cover	Glass transparent

Packing data	
Gross weight	1.774 kg
Length of packaging	180 mm
Packaging width	180 mm
Packaging height	460 mm
Disposal at end of life	This product must not be disposed of with household waste. You are obliged, to dispose of such electrical waste separately. By disposing of electrical waste and other old or defective electronics separately, you support recycling or other forms of re-use. In that way you help to take care and to avoid that harmful substances get into the environment.

Required accessories	