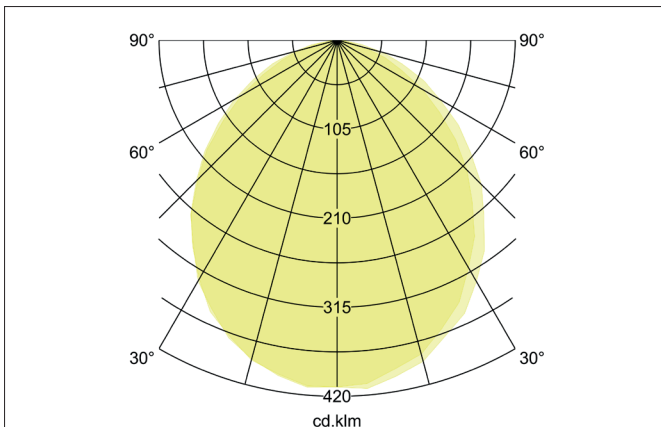
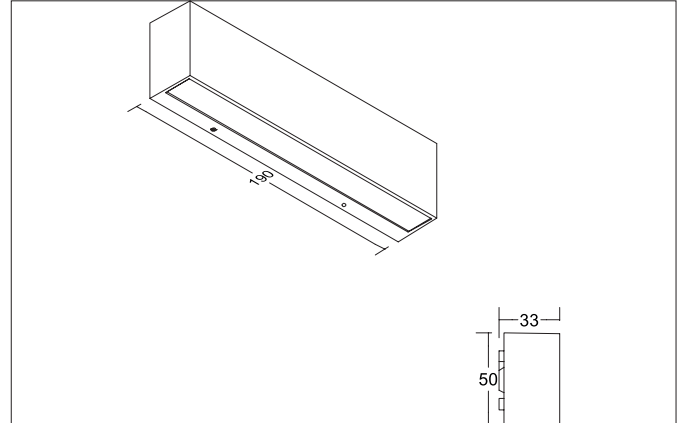
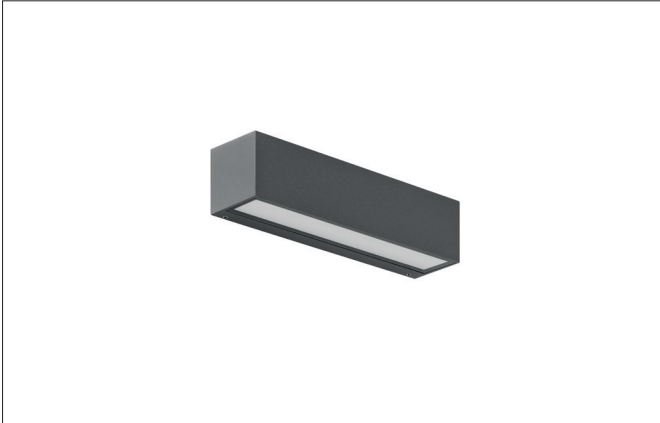


DARBEE LED wall surface mounted luminaire, IP65
 Article no. 65251103

Tender

LED wall surface mounted luminaire, IP65, Rectangular. Luminaire length 190.0 mm, Luminaire width 33.0 mm, Hight 50.0 mm Weight 0.385 kg, with rotationssymmetrical, deep, wide distributed light intensity. Cover glass opal. Luminous flux 208 lm, Power 1 x 3,1 W, Light colour warm white to warm white, Correlated color temperature (CCT) 3.000 - 3.000 K, Colour rendering index CRI > 80, Housing material: Aluminium / Glass / Plastic, Colour: Graphite structure, Permissible ambient temperature (ta): -20 to +45°C, Protection class (EN 61140): I, Degree of protection (DIN EN 60529): IP65. With electronic driver, on/off switchable.

Article data	
Article no.	65251103
GTIN	4251433982500
Series name	DARBEE
Short description	LED wall surface mounted luminaire, IP65
Material	Aluminium / Glass / Plastic
Colour	Graphite
Type of surface	Structure
Shape	Rectangular
Length	190 mm
Width	33 mm
Hight	50 mm
Weight	0.385 kg
Conformance	CE, UKCA

DARBEE LED wall surface mounted luminaire, IP65

Article no. 65251103

Lighting technology	
Colour temperature	3.000 K
Light colour	White
Light output	Direct
Luminous flux	208 lm
System efficiency	67 lm/W
McAdam-Step	McAdam-Step 6
Colour rendering	CRI > 80
Beam angle	120°
Light sharing	Symmetric
Adjustable color temperature	No

Operating technology of the luminaire	
System output	3.1 W
Voltage type	AC
AC nominal voltage max	230 V
Frequency max	50 Hz
Frequency min	50 Hz
Lamp	LED
Lamp holder	Without fitting
Protection class	I
Degree of protection	IP65
Ambient temperature	-20 to +45°C
Dimmable	No
Control	on/off
Bulb change possible	The light source of this luminaire may only be replaced by the manufacturer or a service technician commissioned by him or a similarly qualified person.

Mounting technology	
Mounting method	Surface mounting
Place of installation	Wall-mounted
Adjustability	Not adjustable
Further references	Outdoor
Material cover	Glass opal
Suitable for through-wiring	No

Packing data	
Gross weight	0.498 kg
Length of packaging	200 mm
Packaging width	150 mm
Packaging height	150 mm
Disposal at end of life	This product must not be disposed of with household waste. You are obliged, to dispose of such electrical waste separately. By disposing of electrical waste and other old or defective electronics separately, you support recycling or other forms of re-use. In that way you help to take care and to avoid that harmful substances get into the environment.