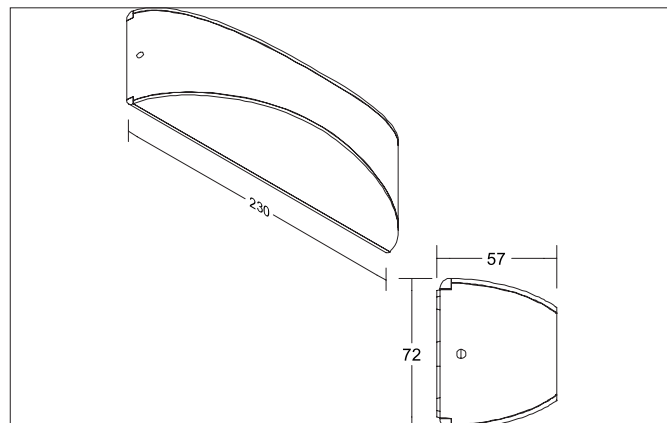


REMUS LED wall surface mounted luminaire, IP65

Article no. 65061103

Light.
For Generations.**Tender**

LED wall surface mounted luminaire, IP65, Rectangular. Luminaire length 230.0 mm, Luminaire width 57.0 mm, Hight 72.0 mm Weight 0.513 kg, Luminous flux 1.050 lm, Power 1 x 9,5 W, Light colour warm white, Correlated color temprature (CCT) 3.000 K, Colour rendering index CRI > 80, Housing material: Aluminium / Polycarbonate, Colour: Graphite structure, Permissible ambient temperature (ta): -20 °C - +25 °C, Protection class (EN 61140): I, Degree of protection (DIN EN 60529): IP65, .With electronic driver, on/off switchable.

Article data	
Article no.	65061103
GTIN	4251433982982
Series name	REMUS
Short description	LED wall surface mounted luminaire, IP65
Material	Aluminium / Polycarbonate
Colour	Graphite
Type of surface	Structure
Shape	Rectangular
Length	230 mm
Width	57 mm
Hight	72 mm
Scope of delivery	incl. converter for connection to 230 V mains voltage, switchable
Weight	0.513 kg

REMUS LED wall surface mounted luminaire, IP65

Article no. 65061103

Light.
For Generations.

Lighting technology	
Colour temperature	3.000 K
Light colour	White
Light output	Direct/Indirect
Luminous flux	1,050 lm
System efficiency	111 lm/W
Colour rendering	CRI > 80
Adjustable color temperature	No

Operating technology of the luminaire	
System output	9.5 W
Voltage type	AC
AC nominal voltage max	230 V
Frequenz max.	50 Hz
Frequenz min.	50 Hz
Lamp	LED
Lamp holder	Without fitting
Protection class	I
Degree of protection	IP65
Control	on/off
Bulb change possible	The light source of this luminaire may only be replaced by the manufacturer or a service technician commissioned by him or a similarly qualified person.

Mounting technology	
Mounting method	Surface mounting
Place of installation	Wall-mounted
Adjustability	Not adjustable
Further references	Outdoor
Suitable for through-wiring	No

Packing data	
Gross weight	0.57 kg
Length of packaging	270 mm
Packaging width	270 mm
Packaging height	120 mm
Disposal at end of life	This product must not be disposed of with household waste. You are obliged, to dispose of such electrical waste separately. By disposing of electrical waste and other old or defective electronics separately, you support recycling or other forms of re-use. In that way you help to take care and to avoid that harmful substances get into the environment.