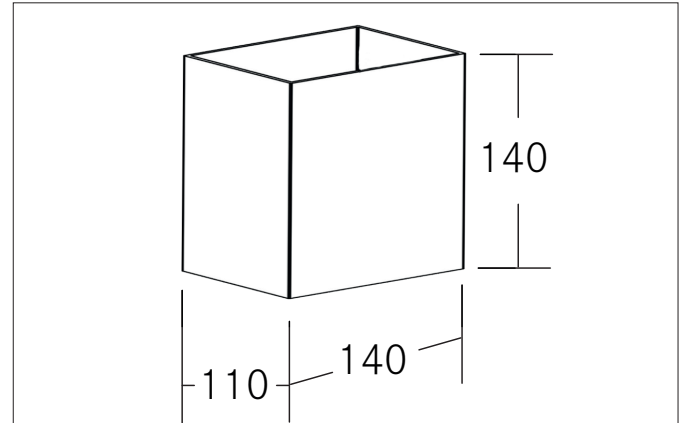
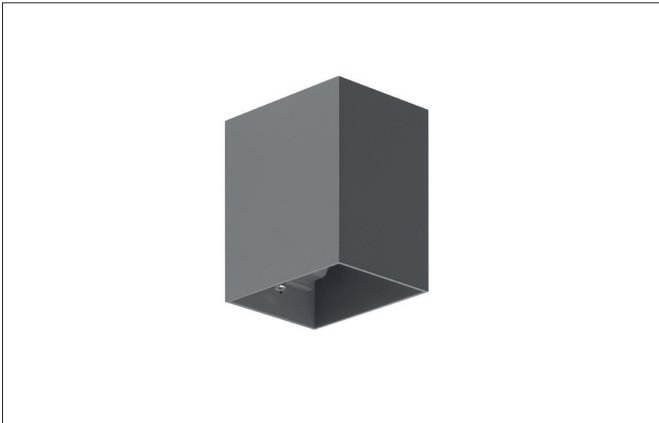


**IDAS LED wall surface mounted luminaire, IP54**  
Article no. 65143103

Light.  
For Generations.



**Tender**

LED wall surface mounted luminaire, IP54, Rectangular. Luminaire length 110.0 mm, Luminaire width 140.0 mm, Height 140.0 mm Weight 0.396 kg, Luminous flux 320 lm, Power 1 x 3 W, Light colour warm white to warm white, Correlated color temperature (CCT) 2.950 - 3.050 K, Colour rendering index CRI > 80, Housing material: Aluminium / Glass, Colour: Graphite structure, Permissible ambient temperature (ta): -20 °C - +25 °C, Protection class (EN 61140): I, Degree of protection (DIN EN 60529): IP54, .With electronic driver, on/off switchable.

Article data	
Article no.	65143103
GTIN	4251433982685
Series name	IDAS
Short description	LED wall surface mounted luminaire, IP54
Material	Aluminium / Glass
Colour	Graphite
Type of surface	Structure
Shape	Rectangular
Length	110 mm
Width	140 mm
Height	140 mm
Scope of delivery	incl. converter for connection to 230 V mains voltage, switchable
Weight	0.396 kg

**IDAS LED wall surface mounted luminaire, IP54**

Article no. 65143103

Light.  
For Generations.

Lighting technology	
Colour temperature	3.000 K
Light colour	White
Light output	Direct
Luminous flux	320 lm
System efficiency	107 lm/W
McAdam-Step	McAdam-Step 3
Colour rendering	CRI > 80
Beam angle	48°
Adjustable color temperature	No

Operating technology of the luminaire	
System output	3 W
Voltage type	AC
AC nominal voltage max	230 V
Frequenz max.	50 Hz
Frequenz min.	50 Hz
Lamp	LED
Lamp holder	Without fitting
Protection class	I
Degree of protection	IP54
Control	on/off
Bulb change possible	The light source of this luminaire may only be replaced by the manufacturer or a service technician commissioned by him or a similarly qualified person.

Mounting technology	
Mounting method	Surface mounting
Place of installation	Wall-mounted
Adjustability	Not adjustable
Further references	Outdoor
Suitable for through-wiring	Yes

Packing data	
Gross weight	0.43 kg
Length of packaging	200 mm
Packaging width	150 mm
Packaging height	150 mm
Disposal at end of life	This product must not be disposed of with household waste. You are obliged, to dispose of such electrical waste separately. By disposing of electrical waste and other old or defective electronics separately, you support recycling or other forms of re-use. In that way you help to take care and to avoid that harmful substances get into the environment.