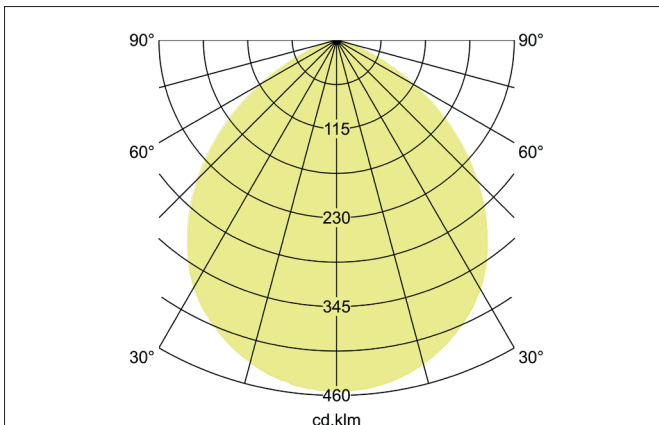
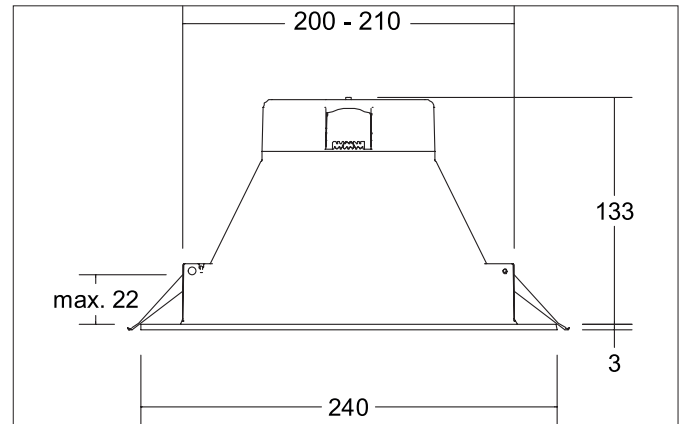


**ZULO MAXI LED recessed downlight, IP54**

Article no. 32029073

Light.  
For Generations.**Tender**

LED recessed downlight, IP54, Round. Ceiling cut-out Ø 200 mm, Installation depth 133 mm, Outer diameter 240 mm, Weight 0,535 kg, with rotationssymmetrical, deep, wide distributed light intensity. optimal light distribution due to a polycarbonat opal cover. Luminous flux 1.880 lm, Power 1 x 20 W, Light colour warm white to daylight white, Correlated color temperature (CCT) 3.000 - 5.700 K, Colour rendering index CRI > 80, Housing material: Plastic, Colour: White, Permissible ambient temperature (ta): -20 °C - +25 °C, Protection class (EN 61140): II, Degree of protection (DIN EN 60529): IP54, shock resistance according to IEC62262: IK03. With electronic driver, on/off switchable.

**Product Benefits**

- Round recessed downlight made of plastic with opal plastic cover.
- Simple and toolless mounting due to the use of a plug-in terminal, which is also suitable for through-wiring.
- CRI > 80.
- Low installation depth of 133 mm, diameter of 240 mm, Ceiling cut-out 200 mm.
- Protection class IP54 on the room side.
- Usable up to a maximum ceiling thickness of 22 mm.

**ZULO MAXI LED recessed downlight, IP54**

Article no. 32029073

Light.  
For Generations.

Article data	
Article no.	32029073
GTIN	4251433926030
Series name	ZULO MAXI
Short description	LED recessed downlight, IP54
Material	Plastic
Colour	White
Type of surface	Matt
Shape	Round
Outer diameter	240 mm
Built-in diameter	200 mm
Installation depth	133 mm
Scope of delivery	incl. converter for connection to 230 V mains voltage, on/off switchable
Weight	0.535 kg
Conformance	CE, UKCA

Lighting technology	
Colour temperature	3.000 K / 4.000 K / 5.700 K
Light output	Direct
Luminous flux	1,880 lm
System efficiency	94 lm/W
Colour rendering	CRI > 80
Reflector	Without
Beam angle	90°
Light sharing	Symmetric
Adjustable color temperature	Stages

Operating technology of the luminaire	
System output	20 W
Voltage type	AC
AC nominal voltage max	230 V
Frequency max	50 Hz
Lamp	LED
Protection class	II
Degree of protection	IP54
Protection class on the ceiling side	IP40
Control	on/off

Mounting technology	
Mounting method	Recessed mounting
Place of installation	Ceiling-mounted
Adjustability	Not adjustable
Impact resistance	IK03
Further references	No cover with thermal insulation material
Material cover	Polycarbonat opal

Packing data	
Gross weight	0.804 kg
Length of packaging	250 mm
Packaging width	250 mm
Packaging height	140 mm
Disposal at end of life	This product must not be disposed of with household waste. You are obliged, to dispose of such electrical waste separately. By disposing of electrical waste and other old or defective electronics separately, you support recycling or other forms of re-use. In that way you help to take care and to avoid that harmful substances get into the environment.