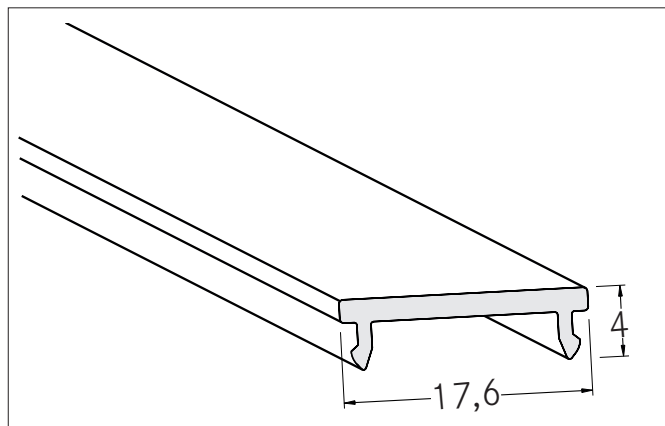


Covers: PMMA

Article no. 53402000


Tender

Covers: PMMA, transparent. Material: PMMA, dimensions profile: length: 2.000 mm x width: 17,6 mm x height: 4 mm

| Article data | |
|-------------------|---------------|
| Article no. | 53402000 |
| GTIN | 4251433912095 |
| Short description | Covers: PMMA |
| Material | PMMA |
| Colour | Clear |
| Transmittance | 95 % |
| Length | 2,000 mm |
| Width | 17.6 mm |
| Hight | 4 mm |
| Weight | 0.030 kg |
| Conformance | CE, UKCA |

Covers: PMMA

Article no. 53402000

| Packing data | |
|-------------------------|---|
| Gross weight | 0.41 kg |
| Length of packaging | 2,020 mm |
| Packaging width | 45 mm |
| Packaging height | 45 mm |
| Note | Please note that the materials aluminium and PMMA or PC can expand differently with changes in temperature! At a temperature change of 10°C, the coefficient of expansion is approx. aluminium is approx. 0.7mm per metre, for plastic approx. 1.5mm per metre. This is not a defect in the product, this is a normal physical process. |
| Disposal at end of life | This product must not be disposed of with household waste. You are obliged, to dispose of such electrical waste separately. By disposing of electrical waste and other old or defective electronics separately, you support recycling or other forms of re-use. In that way you help to take care and to avoid that harmful substances get into the environment. |