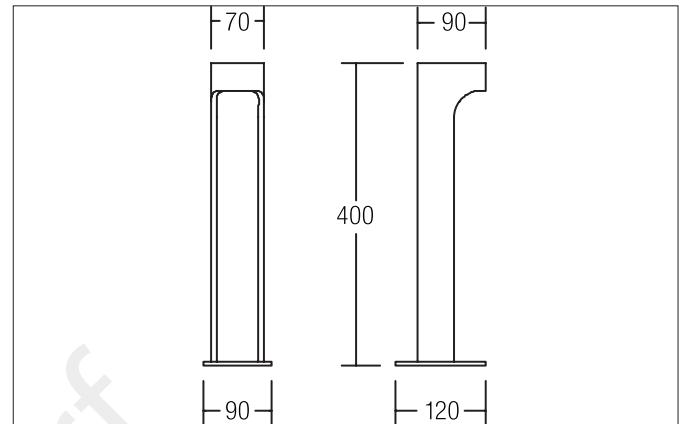


LED bollard light, IP54  
Article no. 60002183

Light.  
For Generations.



#### Tender

LED bollard light, IP54, black, Other. Surface mounting, Floor-mounted Base dimension: L 120 x W 90 Mounting method: Surface mounting, Place of installation: Floor-mounted, Material: Aluminium / Glass, Degree of protection: according to DIN EN 60529 IP54, Protection class: (EN 61140) I, Voltage: 230V AC 50Hz, Power: 7W, Amount of light sources / fittings: 1.0 Qty, Colour temperature: 3.000 K, Light colour : White, With control gear: Yes, Control: on/off.

Article data	
Article no.	60002183
GTIN	4250047730675
Short description	LED bollard light, IP54
Material	Aluminium
Colour	Black
Shape	Other
Width	90 mm
Height	400 mm
Scope of delivery	Including a converter for connection with the 230-V mains voltage, on/off switchable and 500 mm connecting cable
Weight	1.600 kg

Lighting technology	
Colour temperature	3000 K
Light colour	White
Colour rendering	CRI > 80

LED bollard light, IP54  
Article no. 60002183

Light.  
For Generations.

Operating technology of the luminaire	
Voltage type	AC
AC nominal voltage max	230 V
Frequenz max.	50 Hz
Lamp	LED
Lamp holder	Without fitting
Protection class	I
Degree of protection	IP54
Control	on/off

Mounting technology	
Mounting method	Surface mounting
Place of installation	Floor-mounted
Adjustability	Not adjustable
Material cover	Glass transparent

Packing data	
Gross weight	2.305 kg
Length of packaging	180 mm
Packaging width	180 mm
Packaging height	575 mm
Disposal at end of life	<p>This product must not be disposed of with household waste. You are obliged, to dispose of such electrical waste separately.</p> <p>By disposing of electrical waste and other old or defective electronics separately, you support recycling or other forms of re-use. In that way you help to take care and to avoid that harmful substances get into the environment.</p>