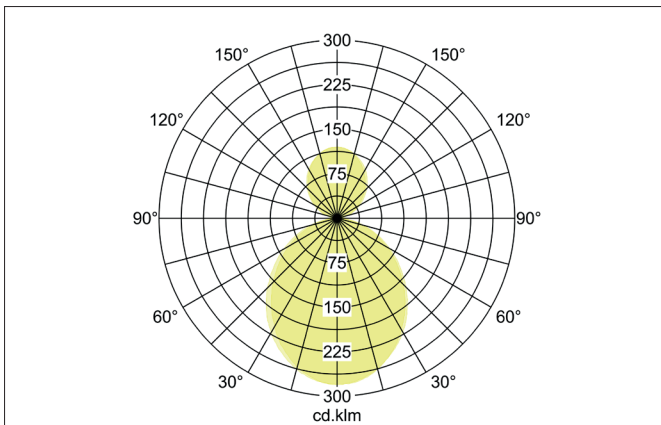
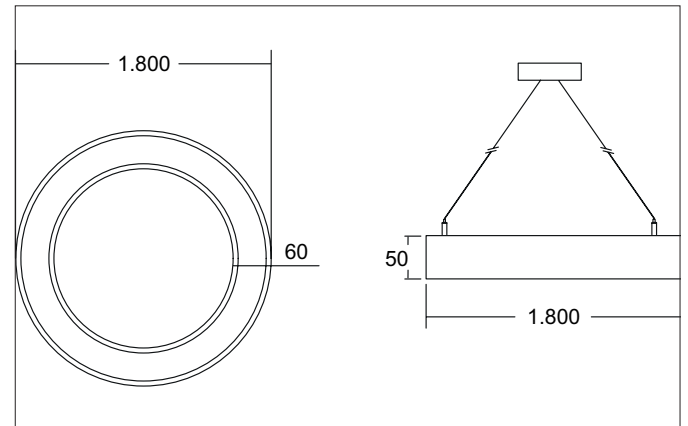
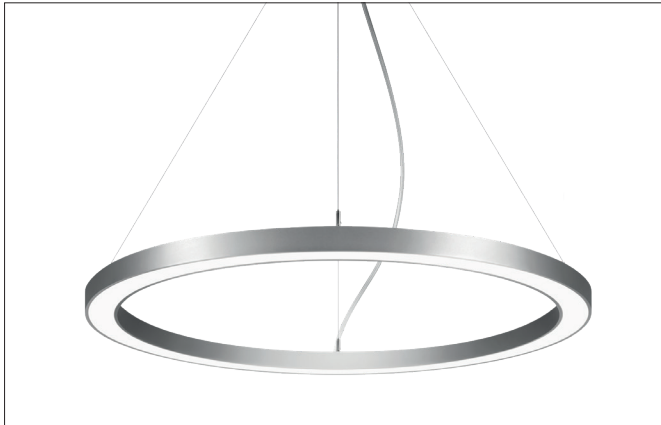


BIRO CIRCLE LED pendant ring light, direct/indirect, dimmbar
 Article no. 13847163

Tender

LED pendant ring light, direct/indirect, dimmbar, Round. Luminaire diameter 1800.0 mm, Hight 50.0 mm, for pendulum mounting. Pendulum length max. 5000.0 mm Weight 13.5 kg, with rotationssymmetrical, deep, wide distributed light intensity. Cover plastic, opal. Luminous flux 21.052 lm, Power 1 x 180 W, Light colour warm white, Correlated color temprature (CCT) 3.000 K, Colour rendering index CRI > 80, Rated life time L70/B50 at 25 °C: 276.000 h, Rated life time L80/B20 at 25 °C: 183.000 h, Housing material: Aluminium / Steel / Plastic, Colour: Silver structure, Permissible ambient temperature (ta): -20 °C - +25 °C, Protection class (EN 61140): I, Degree of protection (DIN EN 60529): IP20. With electronic driver, on/off switchable.

| Article data | |
|-------------------|---|
| Article no. | 13847163 |
| GTIN | 4251433968566 |
| Series name | BIRO CIRCLE |
| Short description | LED pendant ring light, direct/indirect, dimmbar |
| Material | Aluminium / Steel / Plastic |
| Colour | Silver |
| Type of surface | Structure |
| Shape | Round |
| Outer diameter | 1800 mm |
| Hight | 50 mm |
| Scope of delivery | incl. converter for connection to 230 V mains voltage |
| Weight | 13.500 kg |
| Conformance | CE, UKCA |

BIRO CIRCLE LED pendant ring light, direct/indirect, dimmbar

Article no. 13847163

| Lighting technology | |
|---|-----------------|
| Colour temperature | 3.000 K |
| Light colour | White |
| Light output | Direct/Indirect |
| Luminous flux | 21,052 lm |
| Luminous flux component (direct / indirect) | 70/30 % |
| System efficiency | 117 lm/W |
| McAdam-Step | McAdam-Step 3 |
| Colour rendering | CRI > 80 |
| Reflector | Without |
| Beam angle | 110° |
| Light sharing | Symmetric |
| Adjustable color temperature | No |

| Operating technology of the luminaire | |
|---------------------------------------|--|
| System output | 180 W |
| Voltage type | AC |
| AC nominal voltage max | 230 V |
| Frequency max | 50 Hz |
| Lamp | LED |
| Lamp holder | Without fitting |
| Protection class | I |
| Degree of protection | IP20 |
| Control | on/off |
| Bulb change possible | The light source of this luminaire may only be replaced by the manufacturer or a service technician commissioned by him or a similarly qualified person. |
| Rated life time L70/B50 at 25 °C | 276,000 h |
| Rated life time L80/B20 at 25 °C | 183.000 h |
| Rated life time L90/B10 at 25 °C | 74.000 h |

| Mounting technology | |
|----------------------------------|-----------------|
| Mounting method | Suspended |
| Place of installation | Ceiling-mounted |
| Adjustability | Not adjustable |
| Pendulum length max. | 5,000 mm |
| Pendant length single suspension | 500 - 5.000 mm |
| Pendulum length centre canopy | 1000 - 10000 mm |
| Number of cable suspensions | 5 |
| Material cover | Plastic, opal |

| Packing data | |
|-------------------------|---|
| Gross weight | 15.5 kg |
| Length of packaging | 1,830 mm |
| Packaging width | 1,830 mm |
| Packaging height | 60 mm |
| Disposal at end of life | This product must not be disposed of with household waste. You are obliged, to dispose of such electrical waste separately. By disposing of electrical waste and other old or defective electronics separately, you support recycling or other forms of re-use. In that way you help to take care and to avoid that harmful substances get into the environment. |