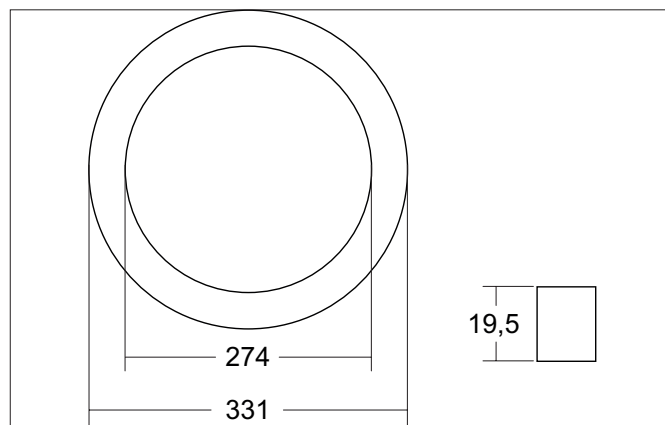


MOON MAXI Front ring for 12205073

Article no. 81020715

Light.
For Generations.**Tender**

Front ring for 12205073, nickel satin.Front ring for 12207073, magnetic fastening .

Article data

Article no.	81020715
GTIN	4251433935773
Series name	MOON MAXI
Short description	Front ring for 12205073
Colour	Nickel
Type of surface	Matt
Outer diameter	330 mm
Hight	19 mm
Weight	0.178 kg
Conformance	CE, UKCA

Packing data

Gross weight	0.336 kg
Length of packaging	335 mm
Packaging width	335 mm
Packaging hight	30 mm
Disposal at end of life	This product must not be disposed of with household waste. You are obliged, to dispose of such electrical waste separately. By disposing of electrical waste and other old or defective electronics separately, you support recycling or other forms of re-use. In that way you help to take care and to avoid that harmful substances get into the environment.