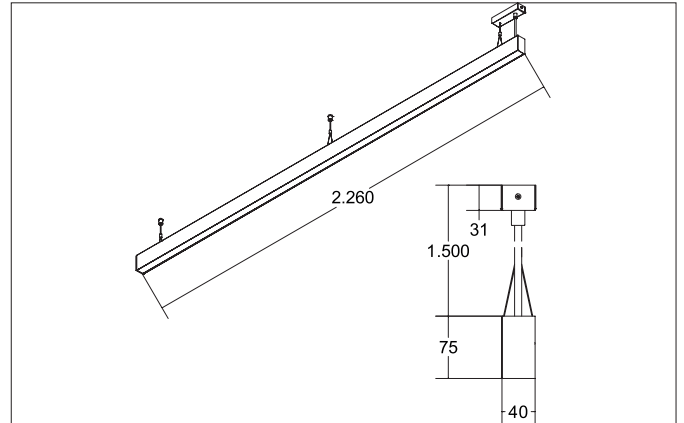


**BIRO40 LED pendant profile luminaire direct/indirect**

Article no. 77354698

Light.  
For Generations.**Tender**

LED pendant profile luminaire direct/indirect, Rectangular. Luminaire length 2264.0 mm, Luminaire width 40.0 mm, Height 75.0 mm, for pendulum mounting. Pendulum length max. 1500.0 mm Weight 3.79 kg, optimal light distribution due to a plastic, satinised cover. Luminous flux 10.860 lm, UGR < 20, Power 94,9 W, Light colour warm white to daylight white, Correlated color temperature (CCT) 2.700 - 6.500 K, Colour rendering index CRI > 80, Rated life time L70/B50 at 25 °C: 65.000 h, Rated life time L80/B50 at 25 °C: 70.000 h, Housing material: Aluminium / Acrylic, Colour: Silver, Permissible ambient temperature (ta): -20 °C - +25 °C, Protection class (EN 61140): I, Degree of protection (DIN EN 60529): IP20, .With electronic driver, DALI dimmable.

| Article data      |   |
|-------------------|---|
| Article no.       | 77354698                                      |
| GTIN              | 4251433935483                                 |
| Series name       | BIRO40  |
| Short description | LED pendant profile luminaire direct/indirect |
| Material          | Aluminium / Acrylic                           |
| Colour            | Silver  |
| Shape             | Rectangular                                   |
| Length            | 2,264 mm                                      |
| Width             | 40 mm   |
| Height            | 75 mm   |
| Weight            | 3.790 kg                                      |

**BIRO40 LED pendant profile luminaire direct/indirect**

Article no. 77354698

Light.  
For Generations.

| Lighting technology          |                      |
|------------------------------|----------------------|
| Colour temperature           | 2.700 K - 6.500 K    |
| Light colour                 | White                |
| Light output                 | Direct/Indirect      |
| Luminous flux                | 10,860 lm            |
| System efficiency            | 114 lm/W             |
| Colour rendering             | CRI > 80             |
| Luminaire optics             | Cover satin          |
| Reflector                    | Without              |
| Beam angle                   | 80°                  |
| Glare evaluation             | UGR < 20             |
| Light sharing                | Symmetric/asymmetric |
| Adjustable color temperature | No                   |

| Operating technology of the luminaire |                 |
|---------------------------------------|-----------------|
| System output                         | 94.9 W          |
| Voltage type                          | AC              |
| AC nominal voltage max                | 230 V           |
| Frequenz max.                         | 50 Hz           |
| Lamp                                  | LED             |
| Lamp holder                           | Without fitting |
| Protection class                      | I               |
| Degree of protection                  | IP20            |
| Control                               | DALI            |
| Rated life time L70/B50 at 25 °C      | 65,000 h        |
| Rated life time L80/B50 at 25 °C      | 70.000 h        |

| Mounting technology   |                    |
|-----------------------|--------------------|
| Mounting method       | Suspended          |
| Place of installation | Ceiling-mounted    |
| Adjustability         | Not adjustable     |
| stamp                 | UKCA               |
| Pendulum length max.  | 1,500 mm           |
| Material cover        | Plastic, satinised |

| Packing data            |   |
|-------------------------|---|
| Gross weight            | 4.58 kg   |
| Length of packaging     | 2,300 mm  |
| Packaging width         | 160 mm  |
| Packaging height        | 135 mm  |
| Disposal at end of life | This product must not be disposed of with household waste. You are obliged, to dispose of such electrical waste separately.<br>By disposing of electrical waste and other old or defective electronics separately, you support recycling or other forms of re-use. In that way you help to take care and to avoid that harmful substances get into the environment. |