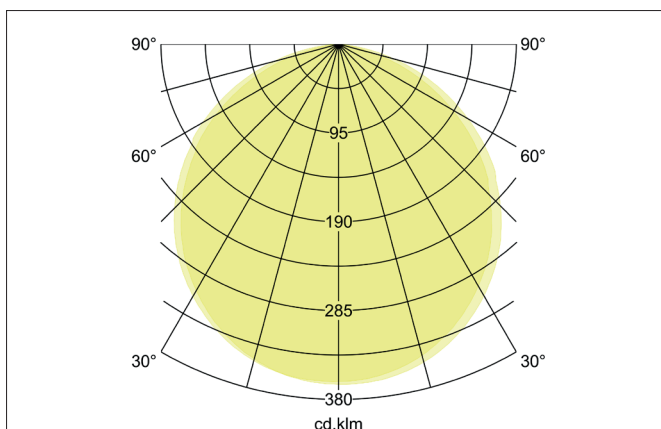
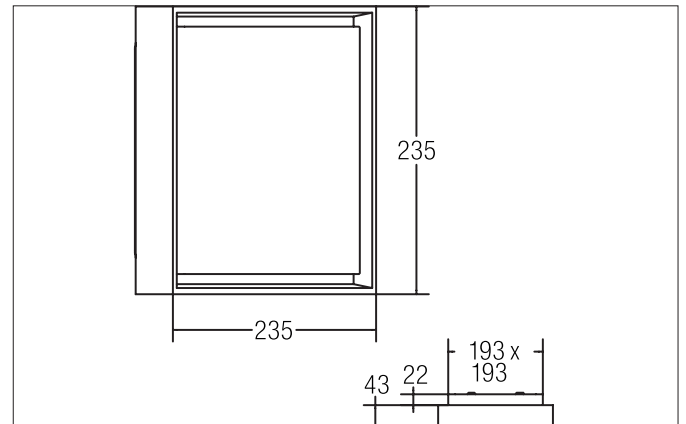


BARTIE LED wall and ceiling surface mounted luminaire, IP54

Article no. 60108183

Light.
For Generations.**Tender**

LED wall and ceiling surface mounted luminaire, IP54, Square. Luminaire length 235.0 mm, Luminaire width 235.0 mm, Height 43.0 mm
 Weight 1.886 kg, with rotationssymmetrical, deep, wide distributed light intensity. optimal light distribution due to a plastic, opal cover. Luminous flux 1.230 lm, Power 1 x 14 W, Light colour warm white, Correlated color temperature (CCT) 3.000 K, Colour rendering index CRI > 80, Housing material: Aluminium / Acrylic, Colour: Black structure, Permissible ambient temperature (ta): -20 °C - +25 °C, Protection class (EN 61140): I, Degree of protection (DIN EN 60529): IP54, .With electronic driver, on/off switchable.

Article data	
Article no.	60108183
GTIN	4251433914822
Series name	BARTIE
Short description	LED wall and ceiling surface mounted luminaire, IP54
Material	Aluminium / Acrylic
Colour	Black
Type of surface	Structure
Shape	Square
Length	235 mm
Width	235 mm
Height	43 mm
Scope of delivery	Incl. converter for connection to the 230-V mains voltage
Weight	1.886 kg

BARTIE LED wall and ceiling surface mounted luminaire, IP54

Article no. 60108183

Light.
For Generations.

Lighting technology	
Colour temperature	3.000 K
Light colour	White
Light output	Direct
Luminous flux	1,230 lm
System efficiency	88 lm/W
Colour rendering	CRI > 80
Beam angle	110°
Light sharing	Symmetric
Adjustable color temperature	No

Operating technology of the luminaire	
System output	14 W
Voltage type	AC
AC nominal voltage max	230 V
Frequency max	50 Hz
Lamp	LED
Lamp holder	Without fitting
Protection class	I
Degree of protection	IP54
Dimmable	No
Control	on/off
Bulb change possible	The light source of this luminaire may only be replaced by the manufacturer or a service technician commissioned by him or a similarly qualified person.

Mounting technology	
Mounting method	Recessed mounting
Place of installation	Wall-mounted
Adjustability	Not adjustable
stamp	UKCA
Further references	Outdoor
Material cover	Plastic, opal
Suitable for through-wiring	

Packing data	
Gross weight	2 kg
Length of packaging	240 mm
Packaging width	75 mm
Packaging height	240 mm
Disposal at end of life	This product must not be disposed of with household waste. You are obliged, to dispose of such electrical waste separately. By disposing of electrical waste and other old or defective electronics separately, you support recycling or other forms of re-use. In that way you help to take care and to avoid that harmful substances get into the environment.