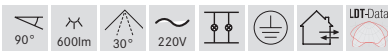
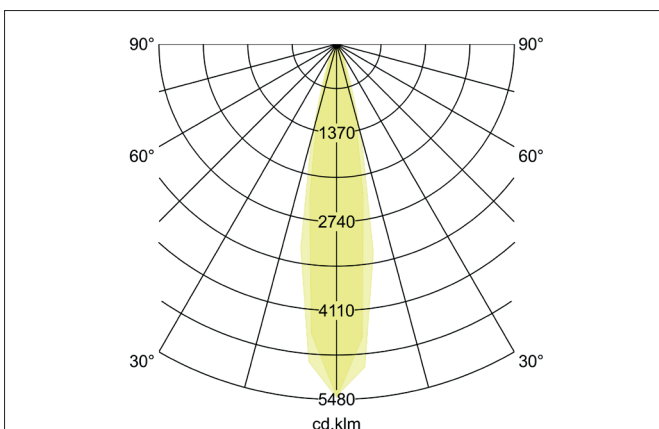
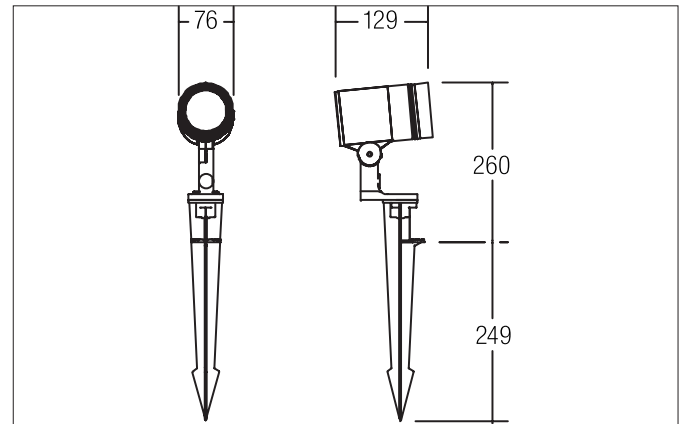


TRIVIA LED ground spike spotlight 230V, 8W, IP65
Article no. 60104183

Light.
For Generations.



Tender

LED ground spike spotlight 230V, 8W, IP65, Round. Ceiling cut-out Installation depth mm, Outer diameter 76 mm, Weight 0,870 kg, with rotationssymmetrical, deep, wide distributed light intensity. optimal light distribution due to a glass transparent cover. Luminous flux 600 lm, Power 1 x 8 W, System Efficiency 75 lm/W, Light colour warm white, Correlated color temprature (CCT) 3.000 K, Colour rendering index CRI > 80, Housing material: Aluminium / Clear glass, Colour: Black, Permissible ambient temperature (ta): -20 °C - +25 °C, Protection class (EN 61140): I, Degree of protection (DIN EN 60529): IP65, .With electronic driver, on/off switchable.

Article data	
Article no.	60104183
GTIN	4250047781578
Series name	TRIVIA
Short description	LED ground spike spotlight 230V, 8W, IP65
Material	Aluminium / Clear glass
Colour	Black
Shape	Round
Outer diameter	76 mm
Height	260 mm
Scope of delivery	Incl. converter for connection to the 230-V mains voltage, on/off, 2,000 mm connecting cable and plug.
Weight	0.870 kg

TRIVIA LED ground spike spotlight 230V, 8W, IP65

Article no. 60104183

Light.
For Generations.

Lighting technology	
Colour temperature	3.000 K
Light colour	White
Light output	Direct
Luminous flux	600 lm
System efficiency	75 lm/W
Colour rendering	CRI > 80
Reflector	High-gloss
Beam angle	30°
Light sharing	Symmetric
Adjustable color temperature	No

Operating technology of the luminaire	
System output	8 W
Voltage type	AC
AC nominal voltage max	230 V
Frequency max	50 Hz
Lamp	LED
Lamp holder	Without fitting
Protection class	I
Degree of protection	IP65
Control	on/off
Bulb change possible	The light source of this luminaire may only be replaced by the manufacturer or a service technician commissioned by him or a similarly qualified person.

Mounting technology	
Mounting method	Surface mounting
Place of installation	Floor-mounted
Adjustability	Pivoted
Swivel angle	90°
Rotation angle	355°
Over rollable	No
Further references	Outdoor
Material cover	Glass transparent
Suitable for through-wiring	No

Packing data	
Gross weight	1.642 kg
Length of packaging	520 mm
Packaging width	185 mm
Packaging height	110 mm
Disposal at end of life	This product must not be disposed of with household waste. You are obliged, to dispose of such electrical waste separately. By disposing of electrical waste and other old or defective electronics separately, you support recycling or other forms of re-use. In that way you help to take care and to avoid that harmful substances get into the environment.