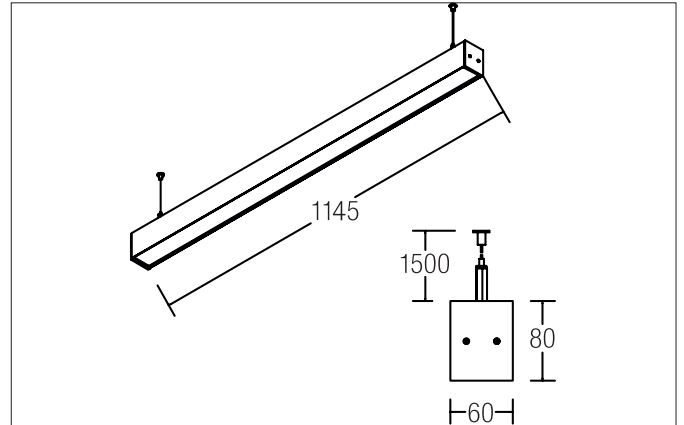


BIRO60 LED pendant profile luminaire, microprismatic cover
Article no. 77201693

Light.
For Generations.



Tender

LED pendant profile luminaire, microprismatic cover, Rectangular. Luminaire length 1155.0 mm, Luminaire width 60.0 mm, Hight 78.0 mm, for pendulum mounting. Pendulum length max. 1500.0 mm Weight 2.5 kg, optimal light distribution due to a plastic, structured cover. Luminous flux 2.500 lm, UGR < 19, Power 1 x 27 W, Light colour warm white, Correlated color temprature (CCT) 3.000 K, Colour rendering index CRI > 80, Housing material: Aluminium / Steel / Plastic, Colour: Silver, Permissible ambient temperature (ta): -20 °C - +25 °C, Protection class (EN 61140): I, Degree of protection (DIN EN 60529): IP20, .With electronic driver, on/off switchable.

Article data	
Article no.	77201693
GTIN	4251433939955
Series name	BIRO60
Short description	LED pendant profile luminaire, microprismatic cover
Material	Aluminium / Steel / Plastic
Colour	Silver
Type of surface	Matt
Shape	Rectangular
Length	1,155 mm
Width	60 mm
Hight	78 mm
Weight	2.500 kg

BIRO60 LED pendant profile luminaire, microprismatic cover

Article no. 77201693

Light.
For Generations.

Lighting technology	
Colour temperature	3.000 K
Light colour	White
Light output	Direct
Luminous flux	2,500 lm
System efficiency	93 lm/W
Colour rendering	CRI > 80
Beam angle	80°
Glare evaluation	UGR < 19
Light sharing	Symmetric/asymmetric
Adjustable color temperature	No

Operating technology of the luminaire	
Voltage type	AC
AC nominal voltage max	230 V
Frequenz max.	50 Hz
Lamp	LED
Lamp holder	Without fitting
Protection class	I
Degree of protection	IP20
Control	on/off
Bulb change possible	The light source of this luminaire may only be replaced by the manufacturer or a service technician commissioned by him or a similarly qualified person.

Mounting technology	
Mounting method	Surface mounting
Place of installation	Ceiling-mounted
Adjustability	Not adjustable
stamp	UKCA
Pendulum length min.	150 mm
Pendulum length max.	1,500 mm
Material cover	Plastic, structured
Suitable for through-wiring	No

Packing data	
Gross weight	3.8 kg
Length of packaging	1,270 mm
Packaging width	100 mm
Packaging height	115 mm
Disposal at end of life	This product must not be disposed of with household waste. You are obliged, to dispose of such electrical waste separately. By disposing of electrical waste and other old or defective electronics separately, you support recycling or other forms of re-use. In that way you help to take care and to avoid that harmful substances get into the environment.