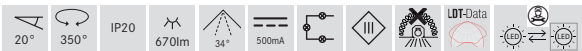
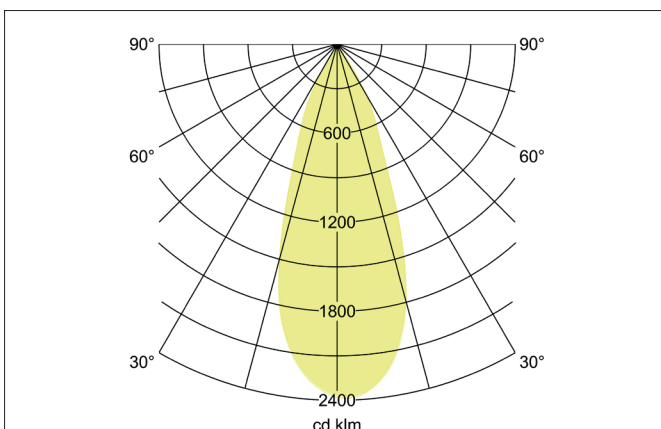
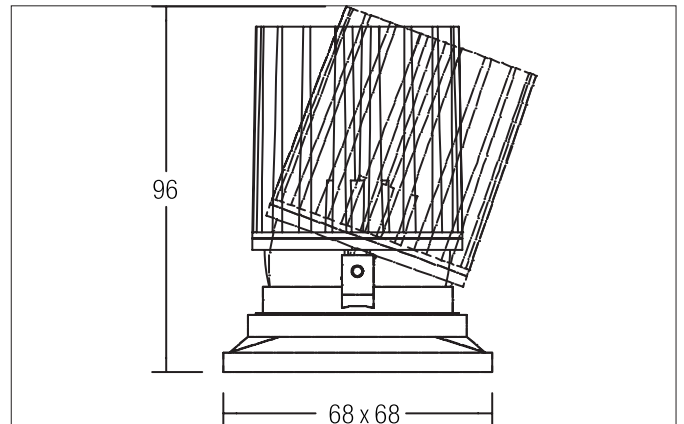


**COUPLED-S LED system recessed spot, dim2warm**

Article no. 12644073


**Tender**

Square LED system recessed spotlight, dim2warm, rotatable and tiltable, ceiling cut-out installation depth 96 mm, length 68 mm, width 68 mm, weight 0.187 kg, silver reflector with rotationally symmetrical narrow-wide beam light distribution. Transparent plastic cover, rated luminous flux 670 lm, rated wattage 1 x 9.4 W, light color warm white to warm white, most similar color temperature (CCT) 3,000 K - 1,800 K, general color rendering index CRI > 90, housing material: aluminum / plastic, color: white, permissible ambient temperature (ta): -20 °C - +25 °C, protection class (EN 61140): III, degree of protection (DIN EN 60529): IP20. For connection to an external control gear, which is not included with the luminaire. Dimmable depending on the control gear.

**Product Benefits**

- Modular aufgebaute Produktserie.
- Für flexible Beleuchtungslösungen bei veränderlichen Raumkonzepten.
- Lieferbar in den Farbtemperaturen 3.000 K und (schwenkbare Versionen) in dim2warm (3.000 K - 1.800 K).
- Verschiedene Leuchtenhalterungen lieferbar (sowohl mit umgreifendem Ring / Rahmen als auch in rahmenloser Ausführung).
- Vertiefter Lichtaustritt.
- Starre Version: Schutzart IP44 bei Einbau in geschlossenen Decken.
- In rund und quadratisch lieferbar.

**COUPLED-S LED system recessed spot, dim2warm**

Article no. 12644073

Article data	
Article no.	12644073
GTIN	4251433916178
Series name	COUPLED-S
Short description	LED system recessed spot, dim2warm
Material	Aluminium / Plastic
Colour	White
Type of surface	Matt
Shape	Square
Installation depth	96 mm
Length	68 mm
Width	68 mm
Weight	0.187 kg
Conformance	CE, UKCA

Lighting technology	
Colour temperature	3.000 K - 1.800 K
Light colour	White
Color Temperature 1	3,000 K
Light output	Direct
Luminous flux	670 lm
Luminous flux 1	670 lm
System efficiency	71 lm/W
Colour rendering	CRI > 90
Reflector	Faceted
Reflector colour	silver
Beam angle	34°
Light sharing	Symmetric
Adjustable color temperature	Infinite control

Operating technology of the luminaire	
System output	9.4 W
Voltage type	DC
Current	500 mA
Lamp	LED
Protection class	III
Degree of protection	IP20
Dimmable	Depending on type of control gear
Control	Depending on driver
Bulb change possible	The light source of this luminaire may only be replaced by the manufacturer or a service technician commissioned by him or a similarly qualified person.

Mounting technology	
Mounting method	Recessed mounting
Place of installation	Ceiling-mounted
Adjustability	Rotable and pivoted
Swivel angle	20°
Rotation angle	350°
Further references	No cover with thermal insulation material
Material cover	Plastic, transparent

**COUPLED-S LED system recessed spot, dim2warm**

Article no. 12644073

Packing data	
Gross weight	0.258 kg
Length of packaging	105 mm
Packaging width	105 mm
Packaging height	120 mm
Disposal at end of life	<p>This product must not be disposed of with household waste. You are obliged, to dispose of such electrical waste separately.</p> <p>By disposing of electrical waste and other old or defective electronics separately, you support recycling or other forms of re-use. In that way you help to take care and to avoid that harmful substances get into the environment.</p>

Required accessories	
Article no.: 17822010	LED converter 500 mA, trailing-edge phase dimmable Power: 8 - 20 W, ohne Konfektionierung Dimensions: 110 mm x 52 mm x 22 mm <a href="https://www.brumberg.com/fileadmin/products/Datenblatt_17822010_2021_DE.pdf">https://www.brumberg.com/fileadmin/products/Datenblatt_17822010_2021_DE.pdf</a>
Article no.: 17829010	LED converter 500 mA, trailing-edge phase dimmable Power: 1 - 24 W, ohne Konfektionierung Dimensions: 166 mm x 46 mm x 34 mm <a href="https://www.brumberg.com/fileadmin/products/Datenblatt_17829010_2021_DE.pdf">https://www.brumberg.com/fileadmin/products/Datenblatt_17829010_2021_DE.pdf</a>
Article no.: 17824010	LED converter 500 mA, 1-10V dimmable (analog) Power: 5 - 27 W, ohne Konfektionierung Dimensions: 146 mm x 43.5 mm x 30 mm <a href="https://www.brumberg.com/fileadmin/products/Datenblatt_17824010_2021_DE.pdf">https://www.brumberg.com/fileadmin/products/Datenblatt_17824010_2021_DE.pdf</a>
Article no.: 17826010	LED converter 500 mA, DALI dimmable (digital) Power: 5 - 27 W, ohne Konfektionierung Dimensions: 146 mm x 44 mm x 30 mm <a href="https://www.brumberg.com/fileadmin/products/Datenblatt_17826010_2021_DE.pdf">https://www.brumberg.com/fileadmin/products/Datenblatt_17826010_2021_DE.pdf</a>
Article no.: 82040170	Recessed frame, square  Dimensions: 83 mm x 83 mm x 3 mm <a href="https://www.brumberg.com/fileadmin/products/Datenblatt_82040170_2021_DE.pdf">https://www.brumberg.com/fileadmin/products/Datenblatt_82040170_2021_DE.pdf</a>
Article no.: 82041170	Double recessed frame, square  Dimensions: 151 mm x 83 mm x 3 mm <a href="https://www.brumberg.com/fileadmin/products/Datenblatt_82041170_2021_DE.pdf">https://www.brumberg.com/fileadmin/products/Datenblatt_82041170_2021_DE.pdf</a>
Article no.: 82042170	Plaster frame, square, for frameless mounting  Dimensions: 75 mm x 83 mm <a href="https://www.brumberg.com/fileadmin/products/Datenblatt_82042170_2021_DE.pdf">https://www.brumberg.com/fileadmin/products/Datenblatt_82042170_2021_DE.pdf</a>
Article no.: 82043170	Double plaster frame, square, for frameless mounting  Dimensions: 143 mm x 83 mm <a href="https://www.brumberg.com/fileadmin/products/Datenblatt_82043170_2021_DE.pdf">https://www.brumberg.com/fileadmin/products/Datenblatt_82043170_2021_DE.pdf</a>

**COUPLED-S LED system recessed spot, dim2warm**  
Article no. 12644073

**Optional accessories**

Article no.: 83330000

Connection box 230 V AC, 3-pole

Dimensions: 80 mm x 41 mm x 34 mm

[https://www.brumberg.com/fileadmin/products/Datenblatt\\_83330000\\_2021\\_DE.pdf](https://www.brumberg.com/fileadmin/products/Datenblatt_83330000_2021_DE.pdf)

Article no.: 83331000

Connection box 230 V AC, 5-pole (DALI / 1-10 V)

Dimensions: 95 mm x 55 mm x 30 mm

[https://www.brumberg.com/fileadmin/products/Datenblatt\\_83331000\\_2021\\_DE.pdf](https://www.brumberg.com/fileadmin/products/Datenblatt_83331000_2021_DE.pdf)