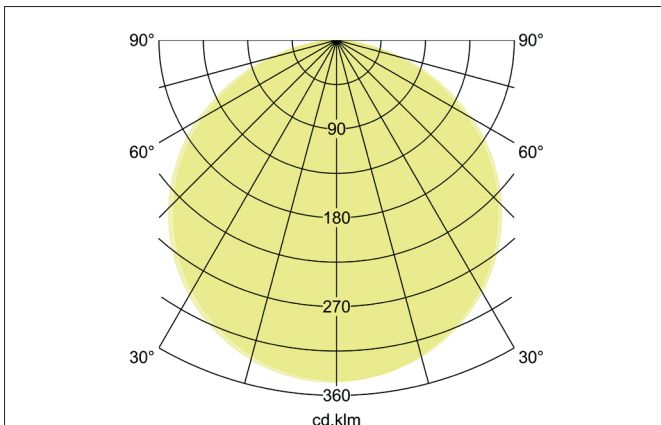
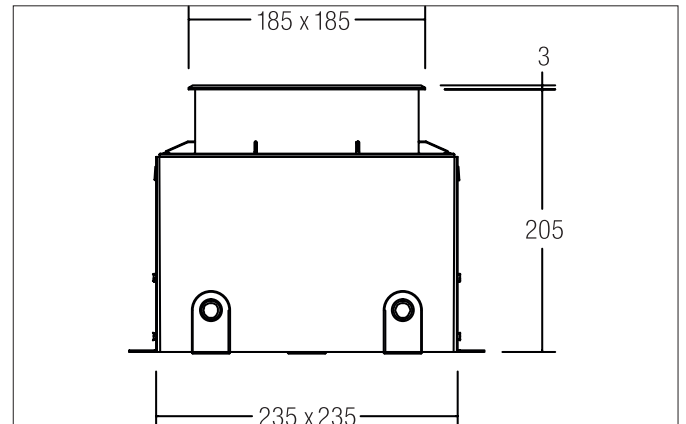


HYBRIDE LED-floor recessed light, V4A, IP67
 Article no. 14673223

Light.
 For Generations.



Tender
 LED-floor recessed light, V4A, IP67, Square. Ceiling cut-out L x W 235 x 235 mm, Installation depth 205 mm, Length 185 mm, Width 185 mm, Weight 3,664 kg, with rotationssymmetrical, deep, wide distributed light intensity. optimal light distribution due to a glass structured cover. Luminous flux 710 lm, Power 1 x 11,8 W, System Efficiency 60 lm/W, Light colour warm white, Correlated color temprature (CCT) 3.000 K, Colour rendering index CRI > 80, Housing material: Stainless steel / Aluminium / Glass, Colour: Stainless steel, Permissible ambient temperature (ta): -20 °C - +25 °C, Protection class (EN 61140): I, Degree of protection (DIN EN 60529): IP67, shock resistance according to IEC62262: IK09 .With electronic driver, on/off switchable.

Article data	
Article no.	14673223
GTIN	4251433917304
Series name	HYBRIDE
Short description	LED-floor recessed light, V4A, IP67
Material	Stainless steel / Aluminium / Glass
Colour	Stainless steel
Shape	Square
Built-in width	235 mm
Built-in length	235 mm
Installation depth	205 mm
Length	185 mm
Width	185 mm
Scope of delivery	Incl. converter for connection to the 230-V mains voltage, on/off, floor installation pot and 5,000 mm connecting cable.
Weight	3.664 kg

HYBRIDE LED-floor recessed light, V4A, IP67

Article no. 14673223

Light.
For Generations.

Lighting technology	
Colour temperature	3.000 K
Light colour	White
Luminous flux	710 lm
System efficiency	60 lm/W
Colour rendering	CRI > 80
Reflector	Without
Beam angle	115°
Light sharing	Symmetric
Adjustable color temperature	No

Operating technology of the luminaire	
System output	11.8 W
Voltage type	AC
AC nominal voltage max	230 V
Frequency max	50 Hz
Lamp	LED
Lamp holder	Without fitting
Protection class	I
Degree of protection	IP67
Control	on/off
Bulb change possible	The light source of this luminaire may only be replaced by the manufacturer or a service technician commissioned by him or a similarly qualified person.

Mounting technology	
Mounting method	Recessed mounting
Place of installation	Floor-mounted
Adjustability	Not adjustable
Max. load	1,000 kg
Over rollable	No
Impact resistance	IK09
stamp	UKCA
Further references	V4A
Material cover	Glass structured
Suitable for through-wiring	Yes

Packing data	
Gross weight	5.031 kg
Length of packaging	245 mm
Packaging width	245 mm
Packaging height	210 mm
Disposal at end of life	This product must not be disposed of with household waste. You are obliged, to dispose of such electrical waste separately. By disposing of electrical waste and other old or defective electronics separately, you support recycling or other forms of re-use. In that way you help to take care and to avoid that harmful substances get into the environment.