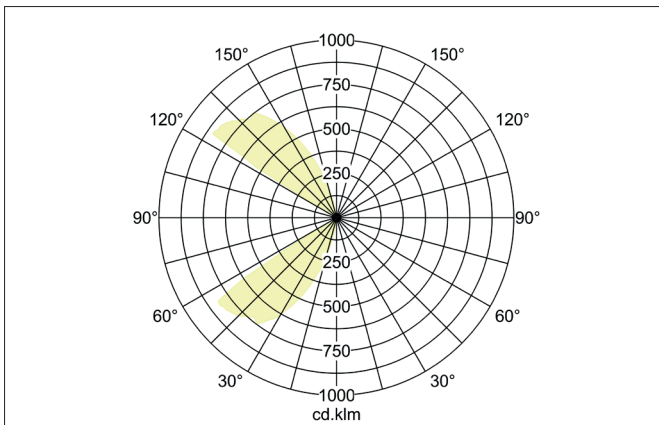
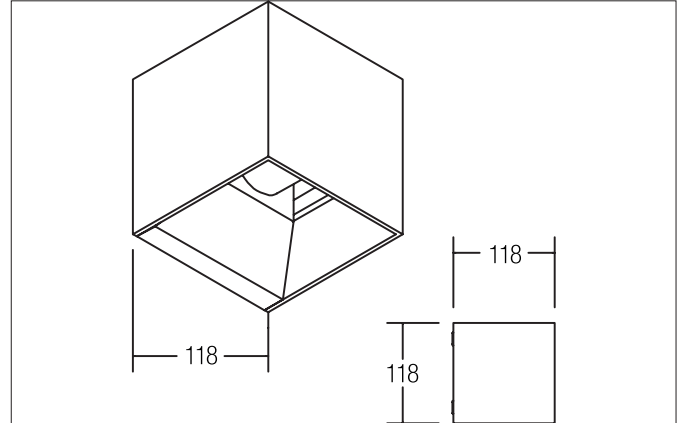


DULVIA LED wall surface mounted luminaire, IP54

Article no. 60025 103

Light.
For Generations.**Tender**

LED wall surface mounted luminaire, IP54, Square. Luminaire length 118.0 mm, Luminaire width 118.0 mm, Hight 118.0 mm Weight 0.707 kg, with rotationssymmetrical, deep, wide distributed light intensity. optimal light distribution due to a plastic, transparent cover. Luminous flux 800 lm, Power 1 x 10 W, Light colour warm white, Correlated color temprature (CCT) 3.000 K, Colour rendering index CRI > 80, Housing material: Aluminium / Acrylic, Colour: Anthracite, Permissible ambient temperature (ta): -20 °C - +25 °C, Protection class (EN 61140): I, Degree of protection (DIN EN 60529): IP54, .With electronic driver, on/off switchable.

Article data	
Article no.	60025 103
GTIN	425 1433924722
Series name	DULVIA
Short description	LED wall surface mounted luminaire, IP54
Material	Aluminium / Acrylic
Colour	Anthracite
Shape	Square
Length	118 mm
Width	118 mm
Hight	118 mm
Scope of delivery	Incl. converter for connection to the 230-V mains voltage
Weight	0.707 kg

DULVIA LED wall surface mounted luminaire, IP54

Article no. 60025103

Light.
For Generations.

Lighting technology	
Colour temperature	3.000 K
Light colour	White
Light output	Direct/Indirect
Luminous flux	800 lm
System efficiency	80 lm/W
Colour rendering	CRI > 80
Reflector	Without
Beam angle	120°
Light sharing	Symmetric
Adjustable color temperature	No

Operating technology of the luminaire	
System output	10 W
Voltage type	AC
AC nominal voltage max	220 V
Frequency max	50 Hz
Lamp	LED
Lamp holder	Without fitting
Protection class	I
Degree of protection	IP54
Control	on/off
Bulb change possible	The light source of this luminaire may only be replaced by the manufacturer or a service technician commissioned by him or a similarly qualified person.

Mounting technology	
Mounting method	Surface mounting
Place of installation	Wall-mounted
Adjustability	Not adjustable
stamp	UKCA
Material cover	Plastic, transparent
Suitable for through-wiring	No

Packing data	
Gross weight	0.794 kg
Length of packaging	125 mm
Packaging width	125 mm
Packaging height	135 mm
Disposal at end of life	This product must not be disposed of with household waste. You are obliged, to dispose of such electrical waste separately. By disposing of electrical waste and other old or defective electronics separately, you support recycling or other forms of re-use. In that way you help to take care and to avoid that harmful substances get into the environment.