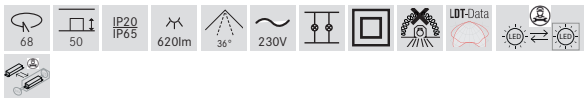
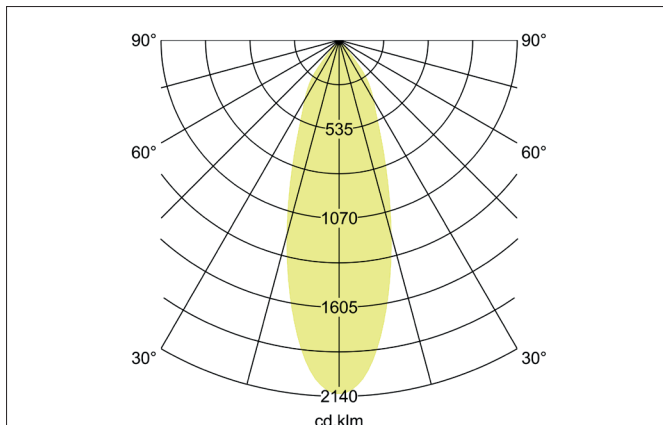
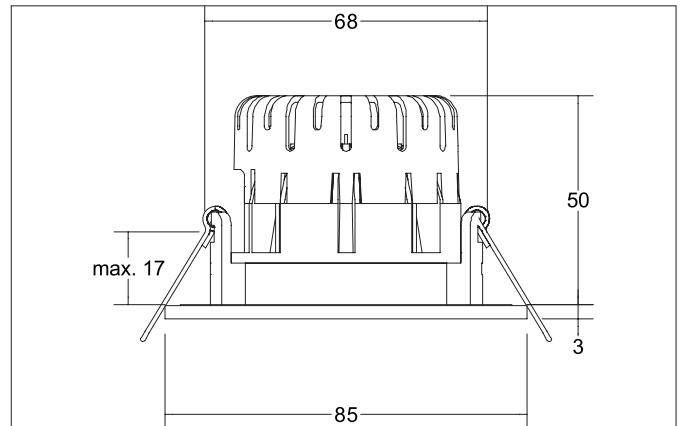




## BB20 LED recessed downlight set, IP65, on/off switchable

Article no. 38480153



### Tender

Round LED recessed downlight set, IP65, switchable, tool-free ceiling installation using installation springs. Ceiling cut-out Ø 68 mm, installation depth 50 mm, outer diameter 85 mm, weight 0.176 kg, silver reflector with rotationally symmetrical deep-wide beam light distribution. Transparent plastic cover, rated luminous flux 620 lm, rated wattage 1 x 7 W, warm white light color, most similar color temperature (CCT) 3,000 K, general color rendering index CRI > 80, service life L70/B50 at 25 °C: 30,000 h, service life L80/B20 at 25 °C: 50,000 h, housing material: aluminum / silicone rubber / PMMA, color: matt nickel, permissible ambient temperature (ta): -20 °C - +25 °C, protection class (EN 61140): II, degree of protection (DIN EN 60529): IP65. With electronic control gear, switchable.

### Product Benefits

- LED-Einbaudownlight in runder Bauform aus massivem Aluminium für den Innenbereich mit verbautem LED-Modul 6 W (3.000 K) und schaltbarem Konverter.
- Deckenausschnitt 68 mm, Durchmesser 85 mm, Einbautiefe 50 mm, Schutzart raumseitig IP65 (bei Einbau in geschlossenen Decken).
- Klassische, formal zurückgenommene Formgebung.
- In gleicher Oberflächenstruktur und in gleicher Farbe auch über Phasenabschnitt oder DALI dimmbar und in Ausführung quadratisch verfügbar.


**BB20 LED recessed downlight set, IP65, on/off switchable**

Article no. 38480153

Article data	
Article no.	38480153
GTIN	4251433948384
Series name	BB20
Short description	LED recessed downlight set, IP65, on/off switchable
Material	Aluminium / Silicone rubber / PMMA
Colour	nickel matt
Type of surface	Matt
Shape	Round
Outer diameter	85 mm
Built-in diameter	68 mm
Installation depth	50 mm
Hight	3 mm
Weight	0.176 kg
Conformance	CE, UKCA

Lighting technology	
Colour temperature	3.000 K
Light colour	white
Light output	Direct
Luminous flux	620 lm
System efficiency	89 lm/W
Colour rendering	CRI > 80
Reflector	Faceted
Reflector colour	silver
Beam angle	36°
Light sharing	Symmetric
Adjustable color temperature	No

Operating technology of the luminaire	
Power	6 W
Voltage type	DC
Current	350 mA
Lamp	LED
Protection class	III
Degree of protection	IP65
Rated life time L70/B50 at 25 °C	30,000 h

Operating technology of driver	
Article No. of used driver	17662010
Width	35 mm
Hight	21 mm
AC nominal voltage min	90 V
AC nominal voltage max	264 V
Frequency max	60 Hz
Dimmable	No
Control	on/off
Starting current	40 A, 50 µs
Power min	1 W
Power	7.2 W
Output current	350 mA
Degree of protection	IP20
Protection class	II
Flicker-free	Yes


**BB20 LED recessed downlight set, IP65, on/off switchable**

Article no. 38480153

Mounting technology	
Mounting method	Recessed mounting
Place of installation	Ceiling-mounted
Adjustability	Not adjustable
Max. ceiling thickness	17 mm
Further references	No cover with thermal insulation material
Material cover	Plastic, transparent
Suitable for through-wiring	Yes, with optional accessories

Packing data	
Gross weight	0.213 kg
Length of packaging	115 mm
Packaging width	95 mm
Packaging height	80 mm
Disposal at end of life	<p>This product must not be disposed of with household waste. You are obliged, to dispose of such electrical waste separately.</p> <p>By disposing of electrical waste and other old or defective electronics separately, you support recycling or other forms of re-use. In that way you help to take care and to avoid that harmful substances get into the environment.</p>

Optional accessories	
Article no.: 83330000	
Connection box 230 V AC, 3-pole	
Dimensions: 80 mm x 41 mm x 34 mm	
<a href="https://www.brumberg.com/fileadmin/products/Datenblatt_83330000_2021_DE.pdf">https://www.brumberg.com/fileadmin/products/Datenblatt_83330000_2021_DE.pdf</a>	