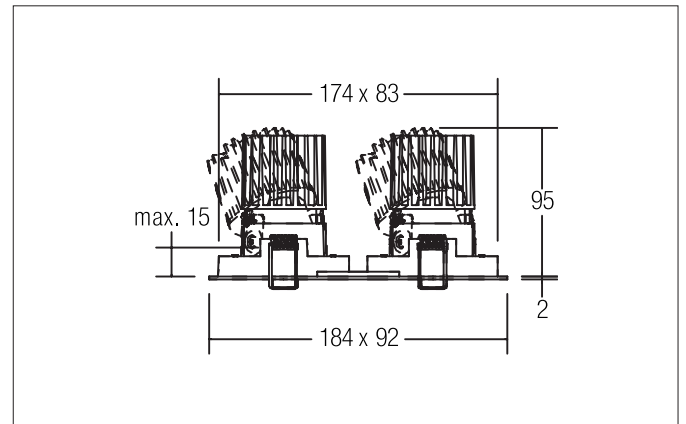


**ARUN-R LED recessed spot, 2-x**

Article no. 12613173


**Tender**

oval LED recessed spotlight, 2-way, rotatable and tiltable, tool-free ceiling installation using installation springs. Ceiling cut-out L x W 83 x 174 mm installation depth 95 mm, length 92 mm, width 184 mm, weight 0.550 kg, silver reflector with rotationally symmetrical narrow-wide beam light distribution. Rated luminous flux 2,600 lm, rated wattage 2 x 24.4 W, light color warm white, most similar color temperature (CCT) 3,000 K, general color rendering index CRI > 80, housing material: aluminum / plastic, color: textured white, permissible ambient temperature (ta): -20 °C - +25 °C, protection class (EN 61140): III, degree of protection (DIN EN 60529): IP20. For connection to an external control gear, which is not included with the luminaire. Dimmable depending on the control gear.

**Product Benefits**

- Recessed spot in oval shape made of solid aluminum.
- Ceiling cutout 174 x 83 mm, width 92 mm, length 184 mm, installation depth 95 mm, luminous flux 2 x 1,300 lm, IP20.
- Pivoting range 30°, rotating range 355°.
- Dimmable when using a suitable converter.
- In the same surface structure and in the same color also available in round, square and rectangular versions.

**ARUN-R LED recessed spot, 2-x**

Article no. 12613173

Article data	
Article no.	12613173
GTIN	4251433920212
Series name	ARUN-R
Short description	LED recessed spot, 2-x
Material	Aluminium / Plastic
Colour	White
Type of surface	Structure
Shape	Oval
Built-in width	174 mm
Built-in length	83 mm
Installation depth	95 mm
Length	92 mm
Width	184 mm
Hight	2 mm
Weight	0.550 kg
Conformance	CE, UKCA

Lighting technology	
Colour temperature	3.000 K
Light colour	White
Light output	Direct
Luminous flux	2,600 lm
System efficiency	107 lm/W
Colour rendering	CRI > 80
Reflector	Faceted
Reflector colour	silver
Beam angle	29°
Light sharing	Symmetric
Adjustable color temperature	No

Operating technology of the luminaire	
Voltage type	DC
Current	350 mA
Lamp	LED
Protection class	III
Degree of protection	IP20
Dimmable	Depending on type of control gear
Control	Depending on driver
Bulb change possible	The light source of this luminaire may only be replaced by the manufacturer or a service technician commissioned by him or a similarly qualified person.

Mounting technology	
Mounting method	Recessed mounting
Place of installation	Ceiling-mounted
Adjustability	Rotable and pivoted
Swivel angle	30°
Rotation angle	355°
Max. ceiling thickness	15 mm
Further references	No cover with thermal insulation material
Material cover	Without cover
Suitable for through-wiring	Yes, with optional accessories

**ARUN-R LED recessed spot, 2-x**  
Article no. 12613173

Packing data	
Gross weight	0.679 kg
Length of packaging	230 mm
Packaging width	135 mm
Packaging height	115 mm
Disposal at end of life	<p>This product must not be disposed of with household waste. You are obliged, to dispose of such electrical waste separately.</p> <p>By disposing of electrical waste and other old or defective electronics separately, you support recycling or other forms of re-use. In that way you help to take care and to avoid that harmful substances get into the environment.</p>

**ARUN-R LED recessed spot, 2-x**

Article no. 12613173

Required accessories
Article no.: 17613010 LED converter 350 mA, on/off switchable Power: 1 - 15 W, ohne Konfektionierung Dimensions: 115 mm x 34 mm x 19 mm <a href="https://www.brumberg.com/fileadmin/products/Datenblatt_17613010_2021_DE.pdf">https://www.brumberg.com/fileadmin/products/Datenblatt_17613010_2021_DE.pdf</a>
Article no.: 17621010 LED converter 350 mA, on/off switchable Power: 1 - 21 W, ohne Konfektionierung Dimensions: 128 mm x 50 mm x 13 mm <a href="https://www.brumberg.com/fileadmin/products/Datenblatt_17621010_2021_DE.pdf">https://www.brumberg.com/fileadmin/products/Datenblatt_17621010_2021_DE.pdf</a>
Article no.: 17664010 LED converter 350 mA, trailing-edge phase dimmable Power: 10,2 - 14 W, ohne Konfektionierung Dimensions: 125 mm x 51 mm x 20 mm <a href="https://www.brumberg.com/fileadmin/products/Datenblatt_17664010_2021_DE.pdf">https://www.brumberg.com/fileadmin/products/Datenblatt_17664010_2021_DE.pdf</a>
Article no.: 17643010 LED converter 350 mA, trailing-edge phase dimmable Power: 8,8 - 18 W, ohne Konfektionierung Dimensions: 110 mm x 52 mm x 22 mm <a href="https://www.brumberg.com/fileadmin/products/Datenblatt_17643010_2021_DE.pdf">https://www.brumberg.com/fileadmin/products/Datenblatt_17643010_2021_DE.pdf</a>
Article no.: 17648010 LED converter 350 mA, trailing-edge phase dimmable Power: 0,7 - 17 W, ohne Konfektionierung Dimensions: 166 mm x 46 mm x 34 mm <a href="https://www.brumberg.com/fileadmin/products/Datenblatt_17648010_2021_DE.pdf">https://www.brumberg.com/fileadmin/products/Datenblatt_17648010_2021_DE.pdf</a>
Article no.: 17657010 LED converter 350 mA, 1-10 V dimmable (analog) Power: 5,2 - 18 W, ohne Konfektionierung Dimensions: 110 mm x 52 mm x 22 mm <a href="https://www.brumberg.com/fileadmin/products/Datenblatt_17657010_2021_DE.pdf">https://www.brumberg.com/fileadmin/products/Datenblatt_17657010_2021_DE.pdf</a>
Article no.: 17683010 LED converter 350 mA, DALI dimmable (digital) Power: 3,5 - 17 W, ohne Konfektionierung Dimensions: 110 mm x 52 mm x 22 mm <a href="https://www.brumberg.com/fileadmin/products/Datenblatt_17683010_2021_DE.pdf">https://www.brumberg.com/fileadmin/products/Datenblatt_17683010_2021_DE.pdf</a>
Article no.: 17682010 LED converter 350 mA, DALI dimmable (digital) Power: 1,8 - 18,5 W, ohne Konfektionierung Dimensions: 146 mm x 43.5 mm x 22 mm <a href="https://www.brumberg.com/fileadmin/products/Datenblatt_17682010_2021_DE.pdf">https://www.brumberg.com/fileadmin/products/Datenblatt_17682010_2021_DE.pdf</a>
Article no.: 17671010 LED converter 350mA, ZigBee dimmable Power: 3,5 - 18,5 W, ohne Konfektionierung Dimensions: 146 mm x 44 mm x 30 mm <a href="https://www.brumberg.com/fileadmin/products/Datenblatt_17671010_2021_DE.pdf">https://www.brumberg.com/fileadmin/products/Datenblatt_17671010_2021_DE.pdf</a>
Article no.: 17672010 LED converter 350mA, Casambi dimmable Power: 3,5 - 18,5 W, ohne Konfektionierung Dimensions: 146 mm x 44 mm x 30 mm <a href="https://www.brumberg.com/fileadmin/products/Datenblatt_17672010_2021_DE.pdf">https://www.brumberg.com/fileadmin/products/Datenblatt_17672010_2021_DE.pdf</a>

**ARUN-R LED recessed spot, 2-x**  
Article no. 12613173

**Optional accessories**

Article no.: 83330000

Connection box 230 V AC, 3-pole

Dimensions: 80 mm x 41 mm x 34 mm

[https://www.brumberg.com/fileadmin/products/Datenblatt\\_83330000\\_2021\\_DE.pdf](https://www.brumberg.com/fileadmin/products/Datenblatt_83330000_2021_DE.pdf)

Article no.: 83331000

Connection box 230 V AC, 5-pole (DALI / 1-10 V)

Dimensions: 95 mm x 55 mm x 30 mm

[https://www.brumberg.com/fileadmin/products/Datenblatt\\_83331000\\_2021\\_DE.pdf](https://www.brumberg.com/fileadmin/products/Datenblatt_83331000_2021_DE.pdf)