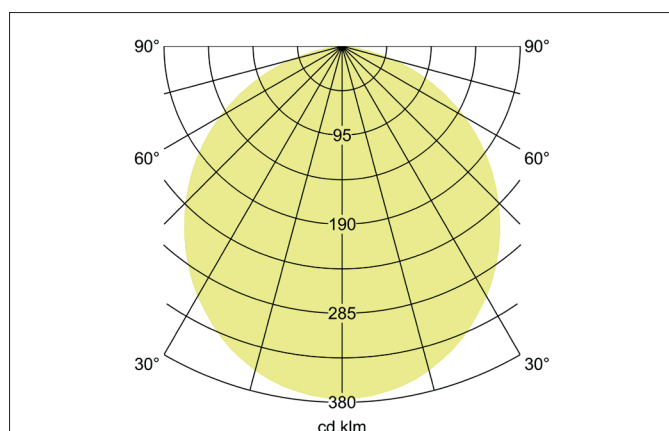
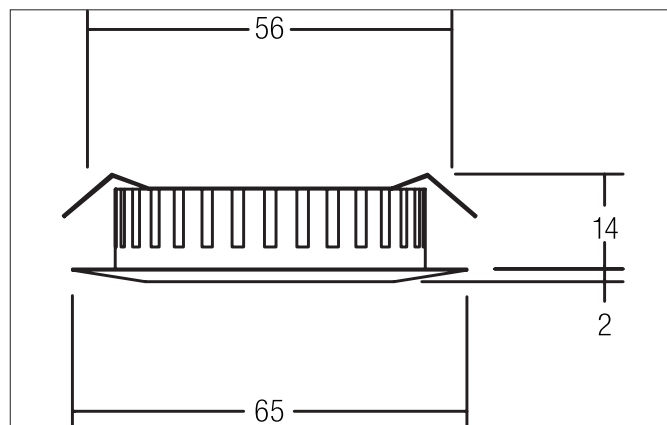


SINCINDA MINI-R LED recessed downlight, IP44

Article no. 12109023


Tender

Round LED recessed downlight, IP44, tool-free ceiling installation using leaf springs. Ceiling cut-out \varnothing 56 mm, installation depth 14 mm, outer diameter 65 mm, weight 0.103 kg, with rotationally symmetrical deep-wide beam light distribution. Opal plastic cover, rated luminous flux 210 lm, rated wattage 1 x 3.3 W, warm white light color, most similar color temperature (CCT) 2,900 K, general color rendering index CRI 85, housing material: die-cast zinc / plastic, color: chrome, permissible ambient temperature (ta): -20 °C - +25 °C, protection class (EN 61140): III, degree of protection (DIN EN 60529): IP44. For connection to an external control gear, which is not included with the luminaire. Dimmable depending on the control gear.

Product Benefits

- Einbaudownlight in runder Bauform aus massivem Zink-Druckguss und Kunststoff.
- Deckenausschnitt 56 mm, Durchmesser 65 mm, Einbautiefe 14 mm.
- Raumseitig Schutzart IP44.
- Auch in quadratischer Bauform verfügbar.
- Anschlussleitung 2.000 mm.

SINCINDA MINI-R LED recessed downlight, IP44

Article no. 12109023

Article data	
Article no.	12109023
GTIN	4250047798101
Series name	SINCINDA MINI-R
Short description	LED recessed downlight, IP44
Material	Die-cast zinc / Plastic
Colour	Chrome
Type of surface	Glossy
Shape	Round
Outer diameter	65 mm
Built-in diameter	56 mm
Installation depth	14 mm
Hight	2 mm
Scope of delivery	Including 2,000 mm connecting cable
Weight	0.103 kg
stamp	MM
Conformance	CE, UKCA

Lighting technology	
Colour temperature	2.900 K
Light colour	White
Light output	Direct
Luminous flux	210 lm
System efficiency	64 lm/W
Colour rendering	CRI 85
Reflector	Without
Beam angle	60°
Light sharing	Symmetric
Adjustable color temperature	No

Operating technology of the luminaire	
System output	3.3 W
Voltage type	DC
DC nominal voltage max	12 V
Lamp	LED
Protection class	III
Degree of protection	IP44
Protection class on the ceiling side	IP20
Dimmable	Depending on type of control gear
Control	Depending on driver
Bulb change possible	The light source of this luminaire may only be replaced by the manufacturer or a service technician commissioned by him or a similarly qualified person.

Mounting technology	
Mounting method	Recessed mounting
Place of installation	Ceiling-mounted
Adjustability	Not adjustable
Further references	No cover with thermal insulation material
Material cover	Plastic, opal

SINCINDA MINI-R LED recessed downlight, IP44

Article no. 12109023

Packing data	
Gross weight	0.12 kg
Length of packaging	70 mm
Packaging width	47 mm
Packaging height	81 mm
Disposal at end of life	<p>This product must not be disposed of with household waste. You are obliged, to dispose of such electrical waste separately.</p> <p>By disposing of electrical waste and other old or defective electronics separately, you support recycling or other forms of re-use. In that way you help to take care and to avoid that harmful substances get into the environment.</p>

Required accessories	
Article no.: 17106000	LED power supply 12 V DC, on/off switchable
Power: 1 - 15 W	
Dimensions: 105 mm x 49 mm x 18 mm	
https://www.brumberg.com/fileadmin/products/Datenblatt_17106000_2021_DE.pdf	
Article no.: 17110000	LED power supply 12 V DC, on/off switchable
Power: 1 - 30 W	
Dimensions: 185 mm x 48 mm x 20 mm	
https://www.brumberg.com/fileadmin/products/Datenblatt_17110000_2021_DE.pdf	

Optional accessories	
Article no.: 81019020	Surface mounted housing for 12109...
Dimensions: 66 mm x 15 mm	
https://www.brumberg.com/fileadmin/products/Datenblatt_81019020_2021_DE.pdf	
Article no.: 17107000	6-way distributor 12 V DC for 17106/17110
Leistung: 30 W	
https://www.brumberg.com/fileadmin/products/Datenblatt_17107000_2021_DE.pdf	
Article no.: 17108000	Extension cable 12 V DC for 17106/17110/17107
https://www.brumberg.com/fileadmin/products/Datenblatt_17108000_2021_DE.pdf	