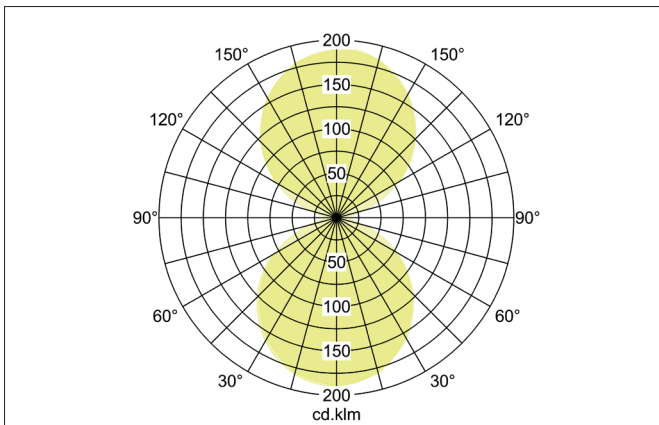
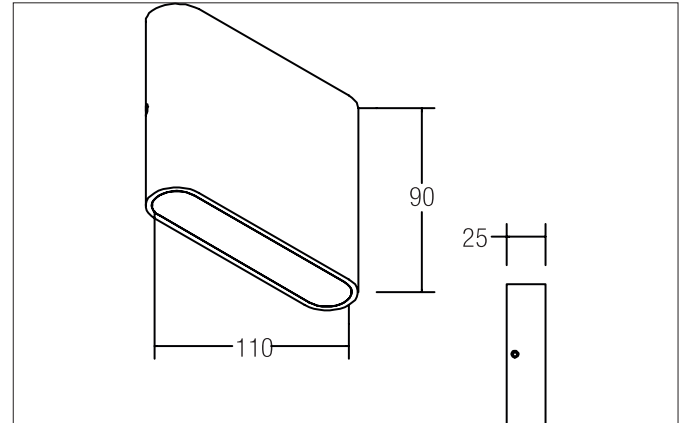


ORMOS LED wall surface mounted luminaire, IP54

Article no. 10045173

Light.
For Generations.**Tender**

LED wall surface mounted luminaire, IP54, Rectangular. Luminaire length 90.0 mm, Luminaire width 110.0 mm, Height 25.0 mm Weight 0.415 kg, with rotationssymmetrical, deep, wide distributed light intensity. optimal light distribution due to a glass opal cover. Luminous flux 428 lm, Power 2 x 7,4 W, Light colour warm white, Correlated color temprature (CCT) 3.000 K, Colour rendering index CRI > 80, Housing material: Aluminium, Colour: White, Permissible ambient temperature (ta): -20 °C - +25 °C, Protection class (EN 61140): I, Degree of protection (DIN EN 60529): IP54, .With electronic driver, on/off switchable.

Article data	
Article no.	10045173
GTIN	4250047772477
Series name	ORMOS
Short description	LED wall surface mounted luminaire, IP54
Material	Aluminium
Colour	White
Type of surface	Matt
Shape	Rectangular
Length	90 mm
Width	110 mm
Height	25 mm
Scope of delivery	Incl. converter for connection to the 230-V mains voltage, on/off switchable
Weight	0.415 kg

ORMOS LED wall surface mounted luminaire, IP54

Article no. 10045173

Light.
For Generations.

Lighting technology	
Colour temperature	3.000 K
Light colour	White
Light output	Direct/Indirect
Luminous flux	428 lm
System efficiency	58 lm/W
Colour rendering	CRI > 80
Reflector	Without
Beam angle	120°
Light sharing	Symmetric
Adjustable color temperature	No

Operating technology of the luminaire	
System output	7.2 W
Voltage type	AC
AC nominal voltage max	230 V
Frequenz max.	50 Hz
Lamp	LED
Lamp holder	Without fitting
Protection class	I
Degree of protection	IP54
Dimmable	No
Control	on/off
Bulb change possible	The light source of this luminaire may only be replaced by the manufacturer or a service technician commissioned by him or a similarly qualified person.

Mounting technology	
Mounting method	Surface mounting
Place of installation	Wall-mounted
Adjustability	Not adjustable
Material cover	Glass opal

Packing data	
Gross weight	0.475 kg
Length of packaging	140 mm
Packaging width	100 mm
Packaging height	60 mm
Disposal at end of life	This product must not be disposed of with household waste. You are obliged, to dispose of such electrical waste separately. By disposing of electrical waste and other old or defective electronics separately, you support recycling or other forms of re-use. In that way you help to take care and to avoid that harmful substances get into the environment.