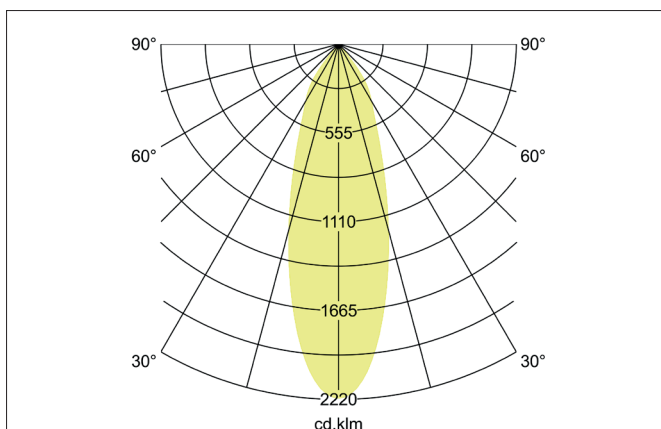
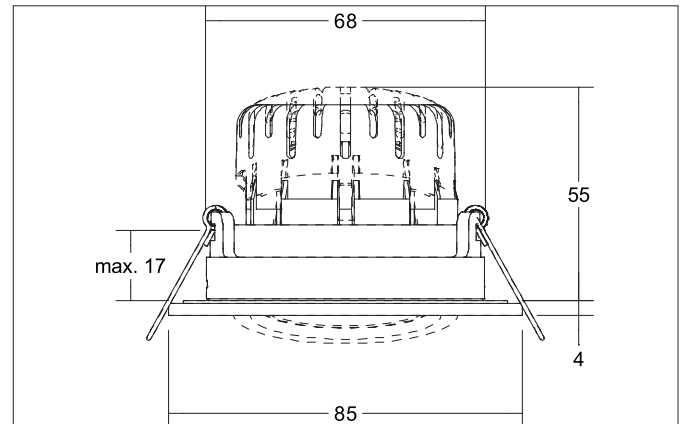


BB23 LED recessed spot set, IP65, on/off switchable

Article no. 38484153

Light.
For Generations.**Tender**

LED recessed spot set, IP65, on/off switchable, Round. Toolless ceiling installation by installation springs. Ceiling cut-out Ø 68 mm, Installation depth 55 mm, Outer diameter 85 mm, Weight 0,171 kg, Reflector silver with rotationssymmetrical, deep, wide distributed light intensity. optimal light distribution due to a plastic, transparent cover. Luminous flux 620 lm, Power 1 x 7 W, Light colour warm white, Correlated color temperature (CCT) 3.000 K, Colour rendering index CRI > 80, Rated life time L70/B50 at 25 °C: 30.000 h, Rated life time L80/B20 at 25 °C: 50.000 h, Housing material: Aluminium / Plastic, Colour: Nickel, Permissible ambient temperature (ta): -20 °C - +25 °C, Protection class (EN 61140): II, Degree of protection (DIN EN 60529): IP65, .With electronic driver, on/off switchable.

Article data	
Article no.	38484153
GTIN	4251433948148
Series name	BB23
Short description	LED recessed spot set, IP65, on/off switchable
Material	Aluminium / Plastic
Colour	Nickel
Type of surface	Matt
Shape	Round
Outer diameter	85 mm
Built-in diameter	68 mm
Installation depth	55 mm
Height	4 mm
Weight	0.171 kg

BB23 LED recessed spot set, IP65, on/off switchable

Article no. 38484153

Light.
For Generations.

Lighting technology	
Colour temperature	3.000 K
Light colour	White
Light output	Direct
Luminous flux	620 lm
System efficiency	89 lm/W
Colour rendering	CRI > 80
Reflector	High-gloss
Reflektorfarbe	silver
Beam angle	36°
Light sharing	Symmetric
Adjustable color temperature	No

Operating technology of the luminaire	
---------------------------------------	--

Operating technology of driver	
Length	68 mm
Width	35 mm
Hight	21 mm
AC nominal voltage min	220 V
AC nominal voltage max	240 V
Frequenz max.	50 Hz
Dimmable	No
Control	on/off
Starting current	10 A (max.10ms)
Power min	1 W
Power	7.2 W
Current	350 mA
Degree of protection	IP20
Protection class	II
Flickerfrei	Yes

Mounting technology	
Mounting method	Recessed mounting
Place of installation	Ceiling-mounted
Adjustability	Pivoted
Swivel angle	15°
Max. ceiling thickness	17 mm
Further references	No cover with thermal insulation material
Material cover	Plastic, transparent
Suitable for through-wiring	Yes, with optional accessories

Packing data	
Gross weight	0.213 kg
Length of packaging	115 mm
Packaging width	95 mm
Packaging hight	80 mm
Disposal at end of life	This product must not be disposed of with household waste. You are obliged, to dispose of such electrical waste separately. By disposing of electrical waste and other old or defective electronics separately, you support recycling or other forms of re-use. In that way you help to take care and to avoid that harmful substances get into the environment.