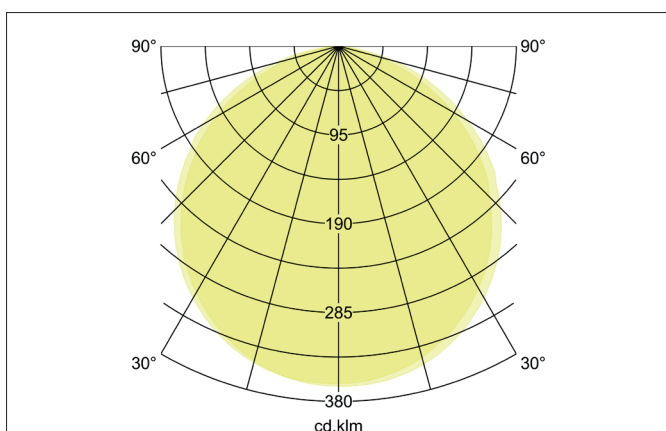
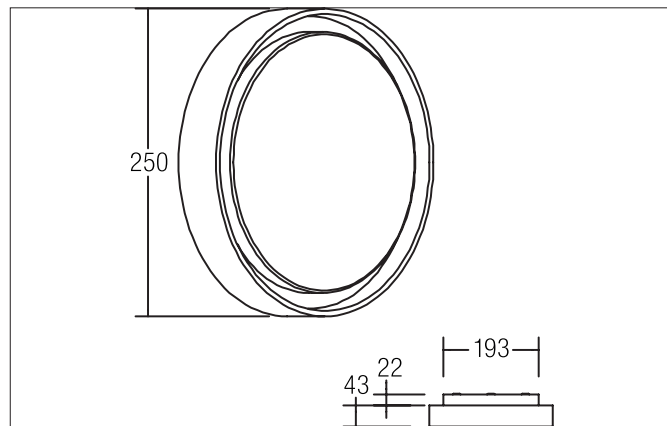


**BARTIE LED wall and ceiling surface mounted luminaire, IP54**

Article no. 60107183

Light.  
For Generations.**Tender**

LED wall and ceiling surface mounted luminaire, IP54, Round. Ceiling cut-out Installation depth mm, Outer diameter 250 mm, Weight 1,633 kg, with rotationssymmetrical, deep, wide distributed light intensity. optimal light distribution due to a plastic, opal cover. Luminous flux 1.210 lm, Power 1 x 14 W, System Efficiency 86 lm/W, Light colour warm white, Correlated color temperature (CCT) 3.000 K, Colour rendering index CRI > 80, Housing material: Aluminium / Acrylic, Colour: Black, Permissible ambient temperature (ta): -20 °C - +25 °C, Protection class (EN 61140): I, Degree of protection (DIN EN 60529): IP54. With electronic driver, on/off switchable.

Article data	
Article no.	60107183
GTIN	4251433914815
Series name	BARTIE
Short description	LED wall and ceiling surface mounted luminaire, IP54
Material	Aluminium / Acrylic
Colour	Black
Type of surface	Matt
Shape	Round
Outer diameter	250 mm
Width	250 mm
Height	43 mm
Scope of delivery	Incl. converter for connection to the 230-V mains voltage
Weight	1.633 kg

**BARTIE LED wall and ceiling surface mounted luminaire, IP54**

Article no. 60107183

Light.  
For Generations.

Lighting technology	
Colour temperature	3.000 K
Light colour	White
Light output	Direct
Luminous flux	1,210 lm
System efficiency	86 lm/W
Colour rendering	CRI > 80
Beam angle	110°
Light sharing	Symmetric

Operating technology of the luminaire	
System output	14 W
Voltage type	AC
AC nominal voltage max	230 V
Frequenz max.	50 Hz
Lamp	LED
Protection class	I
Degree of protection	IP54
Control	on/off
Bulb change possible	The light source of this luminaire may only be replaced by the manufacturer or a service technician commissioned by him or a similarly qualified person.

Mounting technology	
Mounting method	Surface mounting
Place of installation	Wall-mounted
Adjustability	Not adjustable
Material cover	Plastic, opal
Suitable for through-wiring	

Packing data	
Gross weight	1.769 kg
Length of packaging	260 mm
Packaging width	75 mm
Packaging height	260 mm
Disposal at end of life	This product must not be disposed of with household waste. You are obliged, to dispose of such electrical waste separately. By disposing of electrical waste and other old or defective electronics separately, you support recycling or other forms of re-use. In that way you help to take care and to avoid that harmful substances get into the environment.