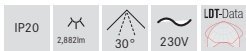
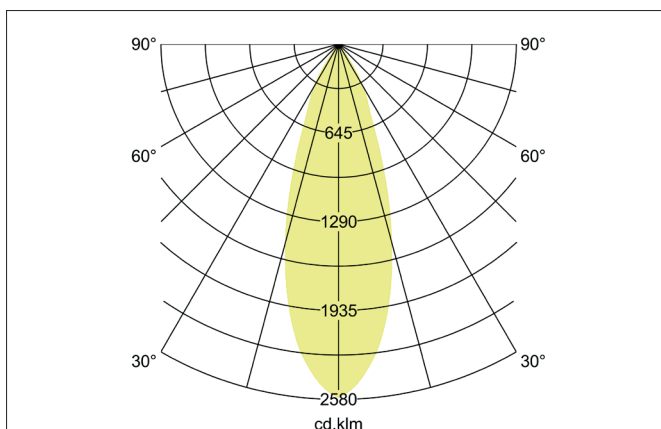
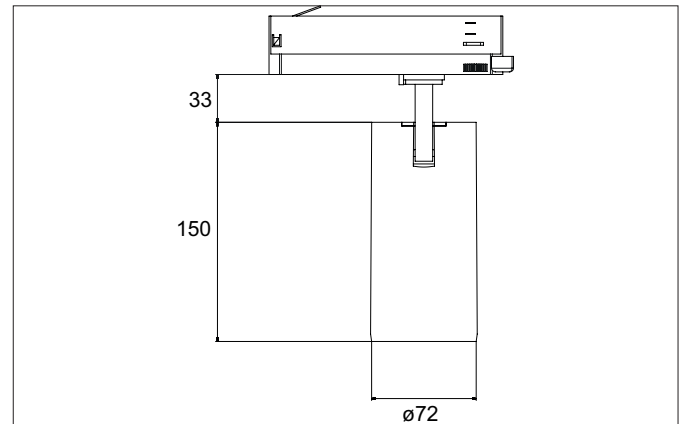


**TRAXX MAXI LED track spotlight, DALI**

Article no. 88723165DA

Light.  
For Generations.**Tender**

LED track spotlight, DALI, Round. Luminaire diameter 70.0 mm, with rotationssymmetrical, deep, wide distributed light intensity. Luminous flux 2.882 lm, Power 1 x 24 W, Light colour neutral white, Correlated color temperature (CCT) 3.500 K, Colour rendering index CRI > 90, Rated life time L80/B50 at 25 °C: 50.000 h, Housing material: Aluminium / Glass / Plastic, Colour: Silver structure, Permissible ambient temperature (ta): -20 °C - +25 °C, Protection class (EN 61140): II, Degree of protection (DIN EN 60529): IP20, .With electronic driver, DALI-2 dimmable.

| Article data      |                             |
|-------------------|-----------------------------|
| Article no.       | 88723165DA                  |
| GTIN              | 4251433983859               |
| Series name       | TRAXX MAXI                  |
| Short description | LED track spotlight, DALI   |
| Material          | Aluminium / Glass / Plastic |
| Colour            | Silver                      |
| Type of surface   | Structure                   |
| Shape             | Round                       |
| Outer diameter    | 70 mm                       |
| Weight            | N.N.                        |

**TRAXX MAXI LED track spotlight, DALI**

Article no. 88723165DA

Light.  
For Generations.

| Lighting technology          |            |
|------------------------------|------------|
| Colour temperature           | 3.500 K    |
| Light colour                 | White      |
| Luminous flux                | 2,882 lm   |
| System efficiency            | 120 lm/W   |
| Colour rendering             | CRI > 90   |
| Reflector                    | High-gloss |
| Beam angle                   | 30°        |
| Light sharing                | Symmetric  |
| Adjustable color temperature | No         |

| Operating technology of the luminaire |  |
|---------------------------------------|--|
| System output                         | 24 W   |
| Voltage type                          | AC   |
| AC nominal voltage max                | 230 V  |
| Frequenz max.                         | 50 Hz  |
| Lamp                                  | LED  |
| Protection class                      | II   |
| Degree of protection                  | IP20   |
| Control                               | DALI-2   |
| Bulb change possible                  | The light source of this luminaire may only be replaced by the manufacturer or a service technician commissioned by him or a similarly qualified person. |
| Rated life time L80/B50 at 25 °C      | 50.000 h   |

| Mounting technology         |                               |
|-----------------------------|-------------------------------|
| Mounting method             | Surface mounting              |
| Place of installation       | Ceiling-mounted               |
| Adjustability               | Rotatable and adjustable head |
| Swivel angle                | 90°                           |
| Rotation angle              | 350°                          |
| Head adjustable angle       | 90°                           |
| Suitable for through-wiring | No                            |

| Packing data            |   |
|-------------------------|---|
| Gross weight            | 0.796 kg  |
| Length of packaging     | 290 mm  |
| Packaging width         | 115 mm  |
| Packaging height        | 165 mm  |
| Disposal at end of life | This product must not be disposed of with household waste. You are obliged, to dispose of such electrical waste separately.<br>By disposing of electrical waste and other old or defective electronics separately, you support recycling or other forms of re-use. In that way you help to take care and to avoid that harmful substances get into the environment. |