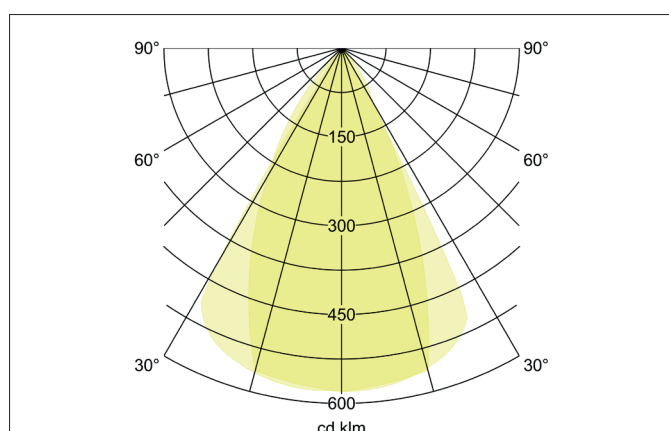
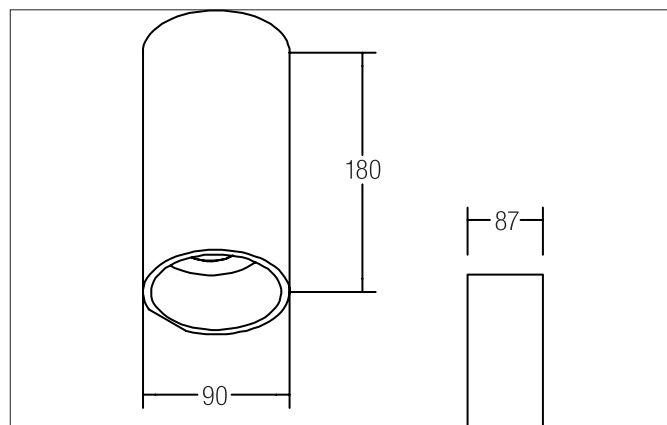


**LED wall surface mounted luminaire, IP54**

Article no. 60018183

Light.  
For Generations.**Tender**

LED wall surface mounted luminaire, IP54, black structure, Round. Surface mounting, Wall-mounted Direct and indirect light emission. Mounting method: Surface mounting, Place of installation: Wall-mounted, Material: Aluminium / Glass, Degree of protection: according to DIN EN 60529 IP54, Protection class: (EN 61140) I, Voltage: 230V AC 50Hz, Power: 4W, Amount of light sources / fittings: 2.0 Qty, Luminous flux: 400lm, Colour temperature: 3.000 K, Light colour : White, Beam angle: 60°, With control gear: Yes, Control: on/off.

Article data	
Article no.	60018183
GTIN	4250047719823
Short description	LED wall surface mounted luminaire, IP54
Material	Aluminium / Glass
Colour	Black
Type of surface	Matt
Shape	Round
Length	180 mm
Width	90 mm
Hight	90 mm
Weight	1.446 kg

**LED wall surface mounted luminaire, IP54**

Article no. 60018183

Light.  
For Generations.

Lighting technology	
Colour temperature	3.000 K
Light colour	White
Light output	Direct/Indirect
Luminous flux	400 lm
System efficiency	100 lm/W
Colour rendering	CRI > 80
Reflector	Without
Beam angle	60°
Light sharing	Symmetric

Operating technology of the luminaire	
System output	8 W
Voltage type	AC
AC nominal voltage max	220 V
Frequenz max.	50 Hz
Lamp	LED
Protection class	I
Degree of protection	IP54
Control	on/off

Mounting technology	
Mounting method	Surface mounting
Place of installation	Wall-mounted
Adjustability	Not adjustable
Material cover	Glass transparent

Packing data	
Gross weight	1.614 kg
Length of packaging	130 mm
Packaging width	130 mm
Packaging height	200 mm
Disposal at end of life	This product must not be disposed of with household waste. You are obliged, to dispose of such electrical waste separately. By disposing of electrical waste and other old or defective electronics separately, you support recycling or other forms of re-use. In that way you help to take care and to avoid that harmful substances get into the environment.