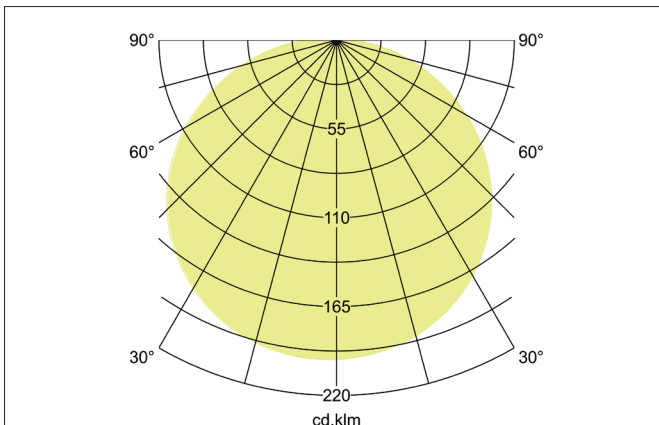
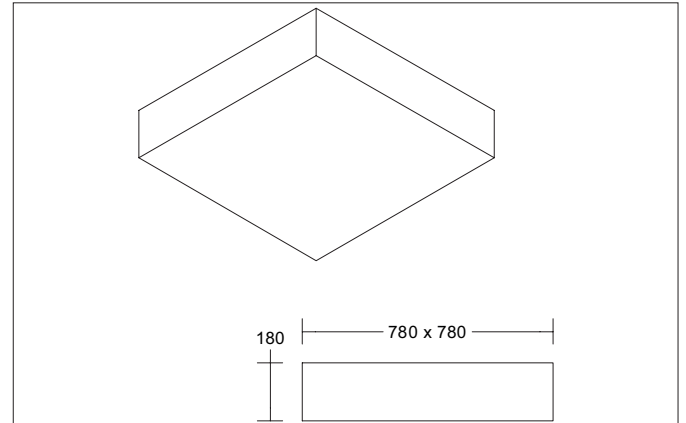


SOFT CUBE Surface mounted luminaire, 780 x 780 mm
Article no. 58239701

Light.
For Generations.



Tender

Surface mounted luminaire, 780 x 780 mm, shade white, Square. Surface mounting, Ceiling-mounted Square fabric luminaire for ceiling mounting. Polycarbonate foil diffuser, shade material: Chintz. For more available shade variants and special solutions you can download a PDF file for each product online from our website. Luminous flux measured with 5 x 10 W LED retrofit lamp (not included). Lamp holder: E27, Mounting method: Surface mounting, Place of installation: Ceiling-mounted, Degree of protection: according to DIN EN 60529 IP20, Protection class: (EN 61140) I, Voltage: 230V AC 50Hz, Power: 60 W, Amount of light sources / fittings: 5 Qty, Luminous flux : 3.040 lm, Control: Other.

Article data	
Article no.	58239701
GTIN	4251433944690
Series name	SOFT CUBE
Short description	Surface mounted luminaire, 780 x 780 mm
Colour	White
Shape	Square
Length	780 mm
Width	780 mm
Hight	180 mm
Shade colour	White
Shade material	Chintz
Chintz colour code	66.8003.01
Weight	2.200 kg

SOFT CUBE Surface mounted luminaire, 780 x 780 mm

Article no. 58239701

Light.
For Generations.

Operating technology of the luminaire	
Voltage type	AC
AC nominal voltage max	230 V
Frequenz max.	50 Hz
Lamp holder	E27
Protection class	I
Degree of protection	IP20
Control	Other
Bulb change possible	Yes

Mounting technology	
Mounting method	Surface mounting
Place of installation	Ceiling-mounted
Adjustability	Not adjustable

Packing data	
Gross weight	2.4 kg
Length of packaging	790 mm
Packaging width	790 mm
Packaging height	200 mm
Disposal at end of life	This product must not be disposed of with household waste. You are obliged, to dispose of such electrical waste separately. By disposing of electrical waste and other old or defective electronics separately, you support recycling or other forms of re-use. In that way you help to take care and to avoid that harmful substances get into the environment.