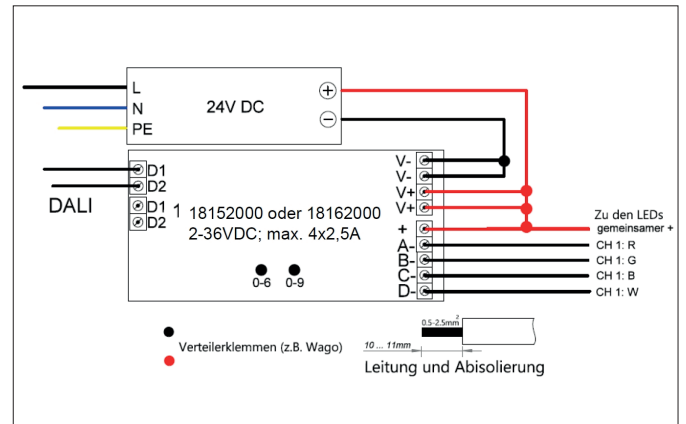


LED dimmer 12-24 V DC, dimmable

Article no. 18152000


Tender

LED dimmer 12-24 V DC, dimmable, black. LED dimmer series for constant voltage operation (12-24 V DC) via 4 channels (single or multi-color). Wiring is screwless via plug-in terminals. Cable cross-section: 0.5-2.5 mm².

An external power supply is required for operation, output signal (dimming): PWM (pulse width modulation), with reverse polarity and over-temperature protection.

Max. Output current: 10 A (4 x 2.5 A: 3 x 3.33 A: 2 x 5 A: 1 x 5 A)

Max. Output power 12 V: 120 W (4 x 30 W: 3 x 40 W: 2 x 60 W: 1 x 60 W)

Max. Output power 24 V: 240 W (4 x 60 W: 3 x 80 W: 2 x 120 W: 1 x 120 W) Material: Plastic, Protection rating on room side: to DIN EN 60529: IP20, Protection class: (EN 61140) III, Voltage: 12V 24V, Power: 240 W, Type of dimming: DALI-DT6.

Article data	
Article no.	18152000
GTIN	4250047799795
Short description	LED dimmer 12-24 V DC, dimmable
Material	Plastic
Colour	Black
Length	170 mm
Width	59 mm
Height	30 mm
Weight	0.139 kg
Conformance	UKCA

LED dimmer 12-24 V DC, dimmable

Article no. 18152000

Operating technology of driver	
Protection class	III
Degree of protection	IP20
Power min	1 W
Power max.	240 W
Output voltage max	24.00 V
Output voltage min.	12.00 V
Control	DALI-DT6
Environment temperature (ta)	0°C up to 40°C
Measure point (tc)	max. +70 °C

Packing data	
Gross weight	0.159 kg
Length of packaging	175 mm
Packaging width	60 mm
Packaging height	35 mm
Disposal at end of life	<p>This product must not be disposed of with household waste. You are obliged, to dispose of such electrical waste separately.</p> <p>By disposing of electrical waste and other old or defective electronics separately, you support recycling or other forms of re-use. In that way you help to take care and to avoid that harmful substances get into the environment.</p>

Optional accessories	
Article no.: 18252070 DALI-DT6 RGBW wall panel	
Dimensions: 86 mm x 86 mm x 9 mm https://www.brumberg.com/fileadmin/products/Datenblatt_18252070_2021_DE.pdf	
Article no.: 18252080 DALI-DT6 RGBW wall panel	
Dimensions: 86 mm x 86 mm x 9 mm	