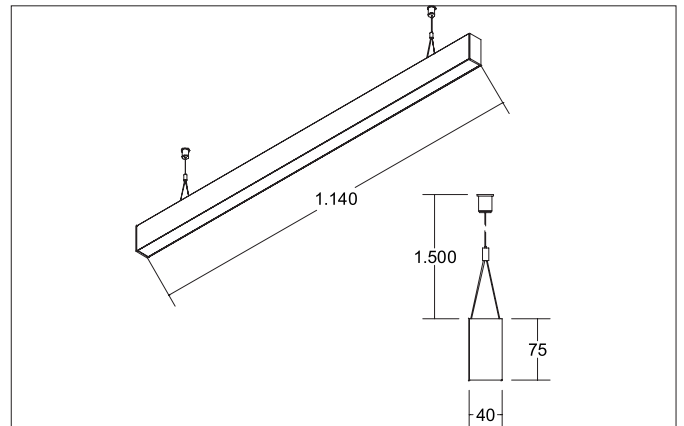


**BIRO40 LED pendant profile luminaire direct/indirect**

Article no. 77323084

Light.  
For Generations.**Tender**

LED pendant profile luminaire direct/indirect, Rectangular. Luminaire length 1144.0 mm, Luminaire width 40.0 mm, Height 75.0 mm, for pendulum mounting. Pendulum length max. 1500.0 mm Weight 2.59 kg, with rotationssymmetrical, deep, wide distributed light intensity. optimal light distribution due to a plastic, satinised cover. Luminous flux 5.600 lm, UGR < 20, Power 45,9 W, Light colour neutral white, Correlated color temprature (CCT) 4.000 K, Colour rendering index CRI > 90, Rated life time L70/B50 at 25 °C: 60.000 h, Rated life time L80/B50 at 25 °C: 60.000 h, Housing material: Aluminium / Acrylic, Colour: Black, Permissible ambient temperature (ta): -20 °C - +25 °C, Protection class (EN 61140): I, Degree of protection (DIN EN 60529): IP20, .With electronic driver, on/off switchable.

| Article data      |   |
|-------------------|---|
| Article no.       | 77323084                                      |
| GTIN              | 4251433935186                                 |
| Series name       | BIRO40  |
| Short description | LED pendant profile luminaire direct/indirect |
| Material          | Aluminium / Acrylic                           |
| Colour            | Black   |
| Shape             | Rectangular                                   |
| Length            | 1,144 mm                                      |
| Width             | 40 mm   |
| Hight             | 75 mm   |
| Weight            | 2.590 kg                                      |

**BIRO40 LED pendant profile luminaire direct/indirect**

Article no. 77323084

Light.  
For Generations.

| Lighting technology          |                 |
|------------------------------|-----------------|
| Colour temperature           | 4.000 K         |
| Light colour                 | White           |
| Light output                 | Direct/Indirect |
| Luminous flux                | 5,600 lm        |
| System efficiency            | 122 lm/W        |
| McAdam-Step                  | McAdam-Step 3   |
| Colour rendering             | CRI > 90        |
| Luminaire optics             | Cover satin     |
| Reflector                    | Without         |
| Beam angle                   | 80°             |
| Glare evaluation             | UGR < 20        |
| Light sharing                | Symmetric       |
| Adjustable color temperature | No              |

| Operating technology of the luminaire |                 |
|---------------------------------------|-----------------|
| System output                         | 45.9 W          |
| Voltage type                          | AC              |
| AC nominal voltage max                | 230 V           |
| Frequenz max.                         | 50 Hz           |
| Lamp                                  | LED             |
| Lamp holder                           | Without fitting |
| Protection class                      | I               |
| Degree of protection                  | IP20            |
| Control                               | on/off          |
| Rated life time L70/B50 at 25 °C      | 60,000 h        |
| Rated life time L80/B50 at 25 °C      | 60.000 h        |

| Mounting technology   |                    |
|-----------------------|--------------------|
| Mounting method       | Suspended          |
| Place of installation | Ceiling-mounted    |
| Adjustability         | Not adjustable     |
| stamp                 | UKCA               |
| Pendulum length max.  | 1,500 mm           |
| Material cover        | Plastic, satinised |

| Packing data            |   |
|-------------------------|---|
| Gross weight            | 3.04 kg   |
| Length of packaging     | 1,250 mm  |
| Packaging width         | 160 mm  |
| Packaging height        | 135 mm  |
| Disposal at end of life | This product must not be disposed of with household waste. You are obliged, to dispose of such electrical waste separately.<br>By disposing of electrical waste and other old or defective electronics separately, you support recycling or other forms of re-use. In that way you help to take care and to avoid that harmful substances get into the environment. |