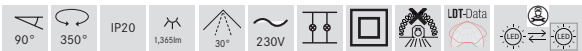
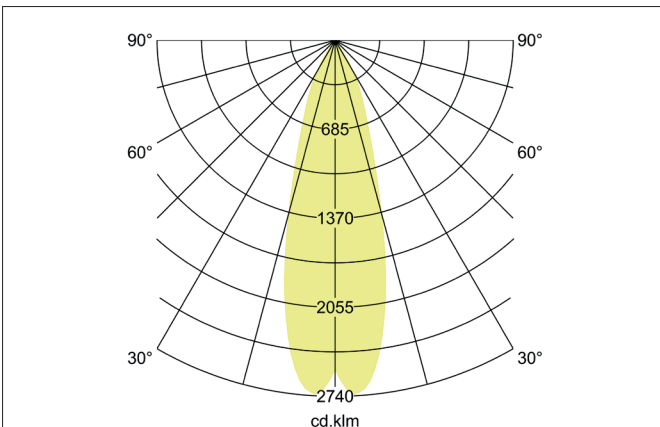
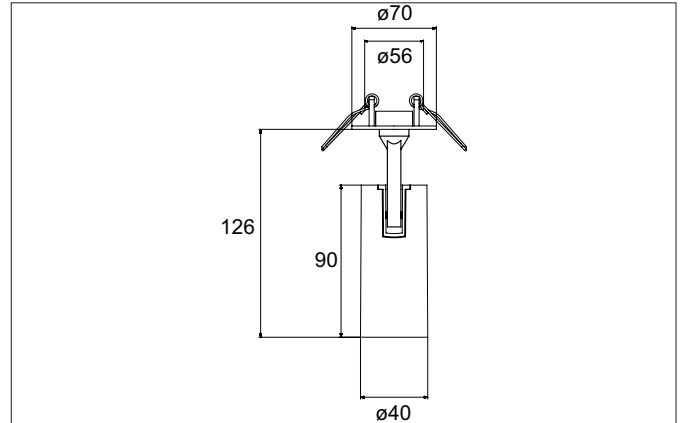




TRAXX MICRO LED semi-recessed spotlight, on/off switchable
 Article no. 88773164



Tender
 Round LED semi-recessed spotlight, rotatable and tiltable, switchable, ceiling cut-out Ø 56 mm, installation depth 50 mm, outer diameter mm, weight 0.200 kg, with rotationally symmetrical narrow-wide beam light distribution. Transparent glass cover, rated luminous flux 1,365 lm, rated wattage 1 x 11 W, neutral white light color, most similar color temperature (CCT) 4,000 K, general color rendering index CRI > 90, service life L80/B50 at 25 °C: 50,000 h, housing material: aluminum, color: textured silver, permissible ambient temperature (ta): -20 °C - +25 °C, protection class (EN 61140): II, degree of protection (DIN EN 60529): IP20. With electronic control gear, switchable.

| Article data | |
|--------------------|--|
| Article no. | 88773164 |
| GTIN | 4251433973126 |
| Series name | TRAXX MICRO |
| Short description | LED semi-recessed spotlight, on/off switchable |
| Material | Aluminium |
| Colour | Silver |
| Type of surface | Structure |
| Shape | Round |
| Outer diameter | |
| Built-in diameter | 56 mm |
| Installation depth | 50 mm |
| Hight | |
| Weight | 0.200 kg |
| Conformance | CE, UKCA |


TRAXX MICRO LED semi-recessed spotlight, on/off switchable

Article no. 88773164

| Lighting technology | |
|------------------------------|------------|
| Colour temperature | 4.000 K |
| Light colour | White |
| Light output | Direct |
| Luminous flux | 1,365 lm |
| System efficiency | 124 lm/W |
| Colour rendering | CRI > 90 |
| Reflector | High-gloss |
| Beam angle | 30° |
| Light sharing | Symmetric |
| Adjustable color temperature | No |

| Operating technology of the luminaire | |
|---------------------------------------|--|
| System output | 11 W |
| Voltage type | AC |
| AC nominal voltage max | 230 V |
| Frequency max | 50 Hz |
| Lamp | LED |
| Protection class | II |
| Degree of protection | IP20 |
| Control | on/off |
| Bulb change possible | The light source of this luminaire may only be replaced by the manufacturer or a service technician commissioned by him or a similarly qualified person. |
| Rated life time L80/B50 at 25 °C | 50.000 h |
| Energy efficiency class | nicht erforderlich |

| Mounting technology | |
|-----------------------------|---|
| Mounting method | Recessed mounting |
| Place of installation | Ceiling-mounted |
| Adjustability | Rotable and pivoted |
| Swivel angle | 90° |
| Rotation angle | 350° |
| Head adjustable angle | 90° |
| Further references | No cover with thermal insulation material |
| Material cover | Glass transparent |
| Suitable for through-wiring | No |

| Packing data | |
|-------------------------|---|
| Gross weight | 0.258 kg |
| Length of packaging | 40 mm |
| Packaging width | 40 mm |
| Packaging height | 151 mm |
| Disposal at end of life | This product must not be disposed of with household waste. You are obliged, to dispose of such electrical waste separately. By disposing of electrical waste and other old or defective electronics separately, you support recycling or other forms of re-use. In that way you help to take care and to avoid that harmful substances get into the environment. |