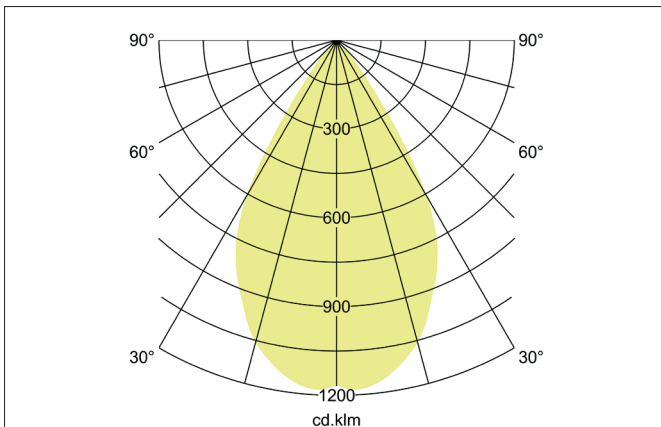
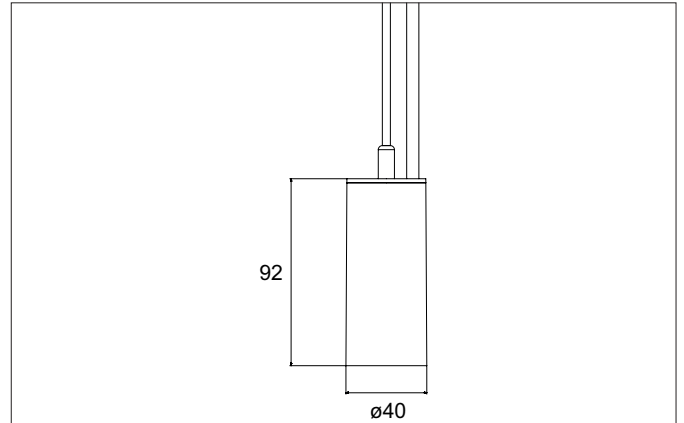


**TRAXX MICRO LED pendant luminaire, on/off switchable**

Article no. 88856164

Light.  
For Generations.**Tender**

LED pendant luminaire, on/off switchable, Round., Hight 113.0 mm, for pendulum mounting. Pendulum length max. 1500.0 mm Weight 0.421 kg, with rotationssymmetrical, deep, wide distributed light intensity. optimal light distribution due to a glass transparent cover. Luminous flux 1.107 lm, Power 1 x 9 W, Light colour neutral white, Correlated color temprature (CCT) 4.000 K, Colour rendering index CRI > 90, Rated life time L80/B50 at 25 °C: 50.000 h, Housing material: Aluminium / Glass / Plastic, Colour: Silver structure, Permissible ambient temperature (ta): -20 °C - +25 °C, Protection class (EN 61140): I, Degree of protection (DIN EN 60529): IP20, .With electronic driver, on/off switchable.

| Article data      |                                          |
|-------------------|------------------------------------------|
| Article no.       | 88856164                                 |
| GTIN              | 4251433978978                            |
| Series name       | TRAXX MICRO                              |
| Short description | LED pendant luminaire, on/off switchable |
| Material          | Aluminium / Glass / Plastic              |
| Colour            | Silver                                   |
| Type of surface   | Structure                                |
| Shape             | Round                                    |
| Hight             | 113 mm                                   |
| Weight            | 0.421 kg                                 |

**TRAXX MICRO LED pendant luminaire, on/off switchable**

Article no. 88856164

Light.  
For Generations.

| Lighting technology          |               |
|------------------------------|---------------|
| Colour temperature           | 4.000 K       |
| Light colour                 | White         |
| Light output                 | Direct        |
| Luminous flux                | 1,107 lm      |
| System efficiency            | 123 lm/W      |
| McAdam-Step                  | McAdam-Step 3 |
| Colour rendering             | CRI > 90      |
| Reflector                    | High-gloss    |
| Beam angle                   | 60°           |
| Light sharing                | Symmetric     |
| Adjustable color temperature | No            |

| Operating technology of the luminaire |                                                                                                                                                          |
|---------------------------------------|----------------------------------------------------------------------------------------------------------------------------------------------------------|
| System output                         | 9 W                                                                                                                                                      |
| Voltage type                          | AC                                                                                                                                                       |
| AC nominal voltage max                | 230 V                                                                                                                                                    |
| Frequenz max.                         | 50 Hz                                                                                                                                                    |
| Lamp                                  | LED                                                                                                                                                      |
| Lamp holder                           | Without fitting                                                                                                                                          |
| Protection class                      | I                                                                                                                                                        |
| Degree of protection                  | IP20                                                                                                                                                     |
| Control                               | on/off                                                                                                                                                   |
| Bulb change possible                  | The light source of this luminaire may only be replaced by the manufacturer or a service technician commissioned by him or a similarly qualified person. |
| Rated life time L80/B50 at 25 °C      | 50.000 h                                                                                                                                                 |

| Mounting technology         |                   |
|-----------------------------|-------------------|
| Mounting method             | Suspended         |
| Place of installation       | Ceiling-mounted   |
| Adjustability               | Not adjustable    |
| stamp                       | UKCA              |
| Pendulum length max.        | 1,500 mm          |
| Material cover              | Glass transparent |
| Suitable for through-wiring | No                |

| Packing data            |                                                                                                                                                                                                                                                                                                                                                                     |
|-------------------------|---------------------------------------------------------------------------------------------------------------------------------------------------------------------------------------------------------------------------------------------------------------------------------------------------------------------------------------------------------------------|
| Gross weight            | 0.489 kg                                                                                                                                                                                                                                                                                                                                                            |
| Length of packaging     | 170 mm                                                                                                                                                                                                                                                                                                                                                              |
| Packaging width         | 170 mm                                                                                                                                                                                                                                                                                                                                                              |
| Packaging height        | 110 mm                                                                                                                                                                                                                                                                                                                                                              |
| Disposal at end of life | This product must not be disposed of with household waste. You are obliged, to dispose of such electrical waste separately.<br>By disposing of electrical waste and other old or defective electronics separately, you support recycling or other forms of re-use. In that way you help to take care and to avoid that harmful substances get into the environment. |