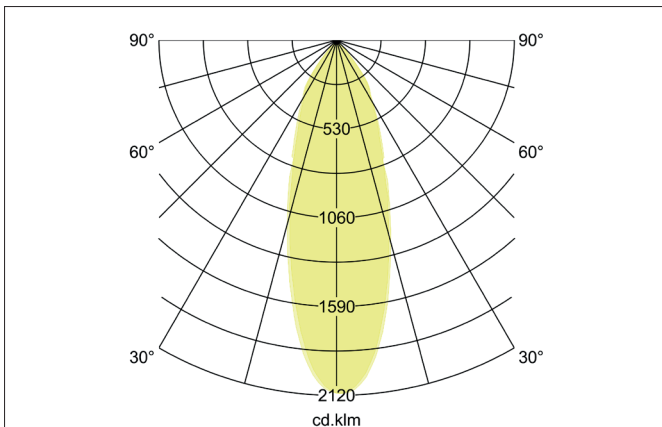
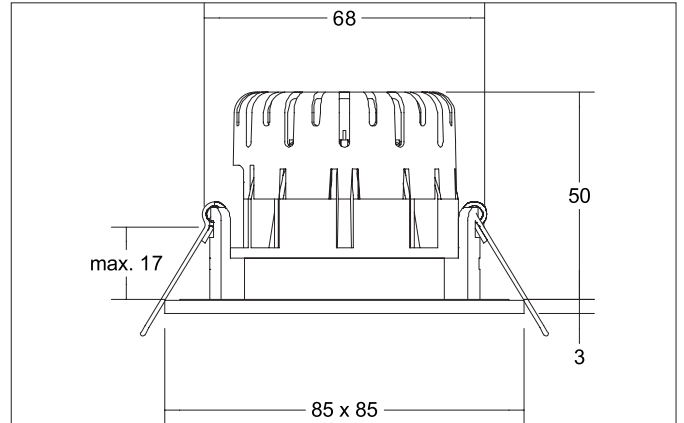
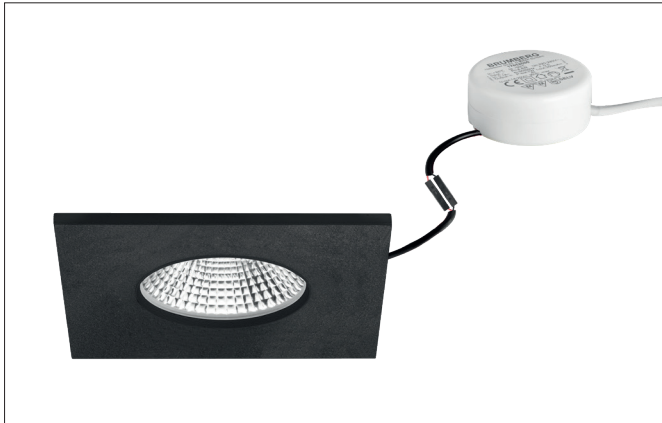


**BB21 LED recessed downlight set, IP65, trailing-edge phase dimmable (round converter)**

Article no. 40481183

Light.  
For Generations.



**Tender**  
LED recessed downlight set, IP65, trailing-edge phase dimmable (round converter), Square. Toolless ceiling installation by installation springs. Ceiling cut-out Ø 68 mm, Installation depth 50 mm, Outer diameter 82 mm, Weight 0,182 kg, Reflector silver with rotationssymmetrical, deep, wide distributed light intensity. Cover plastic, transparent. Luminous flux 620 lm, Power 1 x 7 W, System Efficiency 89 lm/W, Light colour warm white, Correlated color temprature (CCT) 3.000 K, Colour rendering index CRI > 80, Rated life time L70/B50 at 25 °C: 30.000 h, Rated life time L80/B20 at 25 °C: 50.000 h, Housing material: Aluminium / Plastic, Colour: Black structure, Permissible ambient temperature (ta): -20 °C - +25 °C, Protection class (EN 61140): II, Degree of protection (DIN EN 60529): IP65. With electronic driver, Trailing-edge phase dimmable.

**BB21 LED recessed downlight set, IP65, trailing-edge phase dimmable (round converter)**

Article no. 40481183

Light.  
For Generations.

Article data	
Article no.	40481183
GTIN	4251433948551
Series name	BB21
Short description	LED recessed downlight set, IP65, trailing-edge phase dimmable (round converter)
Material	Aluminium / Plastic
Colour	Black
Type of surface	Structure
Shape	Square
Outer diameter	82 mm
Built-in diameter	68 mm
Installation depth	50 mm
Length	85 mm
Width	85 mm
Hight	3 mm
Weight	0.182 kg
Conformance	CE, UKCA

Lighting technology	
Colour temperature	3.000 K
Light colour	White
Light output	Direct
Luminous flux	620 lm
System efficiency	89 lm/W
Colour rendering	CRI > 80
Reflector	Faceted
Reflector colour	silver
Beam angle	36°
Light sharing	Symmetric
Adjustable color temperature	No

Operating technology of the luminaire	
Power	6 W
Voltage type	DC
Current	350 mA
Lamp	LED
Protection class	III
Degree of protection	IP65
Rated life time L70/B50 at 25 °C	30,000 h

Operating technology of driver	
Article No. of used driver	17652001
Power min	4.9 W
Power	7 W

Mounting technology	
Mounting method	Recessed mounting
Place of installation	Ceiling-mounted
Adjustability	Not adjustable
Max. ceiling thickness	17 mm
Further references	No cover with thermal insulation material
Material cover	Plastic, transparent
Suitable for through-wiring	Yes, with optional accessories

**BB21 LED recessed downlight set, IP65, trailing-edge phase dimmable (round converter)**

Article no. 40481183

Light.  
For Generations.

Packing data	
Gross weight	0.224 kg
Length of packaging	115 mm
Packaging width	95 mm
Packaging height	80 mm
Disposal at end of life	<p>This product must not be disposed of with household waste. You are obliged, to dispose of such electrical waste separately.</p> <p>By disposing of electrical waste and other old or defective electronics separately, you support recycling or other forms of re-use. In that way you help to take care and to avoid that harmful substances get into the environment.</p>