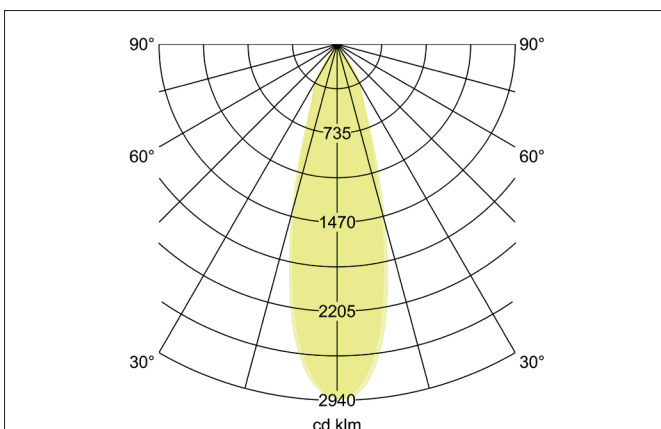
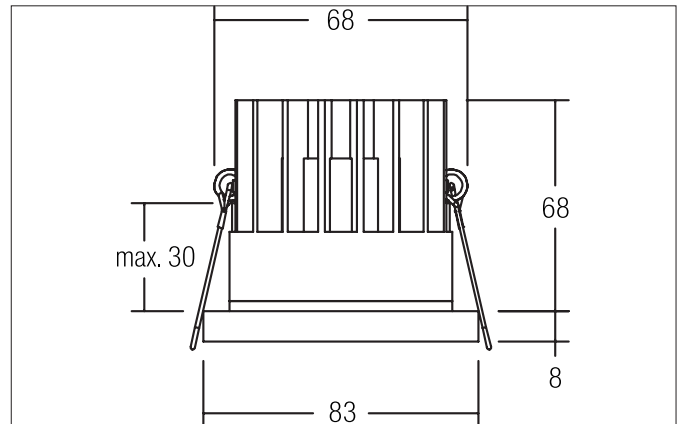


**WANETA LED recessed downlight, IP54**

Article no. 12270184


**Tender**

LED recessed downlight, IP54, Round. Toolless ceiling installation by installation springs. Ceiling cut-out Ø 68 mm, Installation depth 68 mm, Outer diameter 83 mm, Weight 0,238 kg, Reflector silver with rotationssymmetrical, deep, wide distributed light intensity. Cover glass transparent. Luminous flux 840 lm, Power 1 x 9,2 W, Light colour neutral white, Correlated color temprature (CCT) 4.000 K, Colour rendering index CRI > 80, Housing material: Aluminium / Glass, Colour: Black structure, Permissible ambient temperature (ta): -20 °C - +25 °C, Protection class (EN 61140): III, Degree of protection (DIN EN 60529): IP54 when installing in closed ceilings. For connection to an external driver, which is not included in the scope of delivery of the luminaire. Depending on driver dimmable.

Article data	
Article no.	12270184
GTIN	4251433905882
Series name	WANETA
Short description	LED recessed downlight, IP54
Material	Aluminium / Glass
Colour	Black
Type of surface	Structure
Shape	Round
Outer diameter	83 mm
Built-in diameter	68 mm
Installation depth	68 mm
Height	8 mm
Weight	0.238 kg
Conformance	CE, UKCA

**WANETA LED recessed downlight, IP54**

Article no. 12270184

Lighting technology	
Colour temperature	4.000 K
Light output	Direct
Luminous flux	840 lm
System efficiency	91 lm/W
Colour rendering	CRI > 80
Reflector	Faceted
Reflector colour	silver
Beam angle	33°
Light sharing	Symmetric
Adjustable color temperature	No

Operating technology of the luminaire	
Voltage type	DC
Current	500 mA
Lamp	LED
Protection class	III
Degree of protection	IP54
Protection class on the ceiling side	IP20
Dimmable	Depending on type of control gear
Control	Depending on driver
Bulb change possible	The light source of this luminaire may only be replaced by the manufacturer or a service technician commissioned by him or a similarly qualified person.

Mounting technology	
Mounting method	Recessed mounting
Place of installation	Ceiling-mounted
Adjustability	Pivoted
Max. ceiling thickness	30 mm
Further references	No cover with thermal insulation material
Material cover	Glass transparent

Packing data	
Gross weight	0.288 kg
Length of packaging	100 mm
Packaging width	100 mm
Packaging height	100 mm
Disposal at end of life	This product must not be disposed of with household waste. You are obliged, to dispose of such electrical waste separately. By disposing of electrical waste and other old or defective electronics separately, you support recycling or other forms of re-use. In that way you help to take care and to avoid that harmful substances get into the environment.

**WANETA LED recessed downlight, IP54**

Article no. 12270184

**Required accessories**

Article no.: 17823010

LED converter 500 mA, on/off switchable

Power: 1 - 22 W, ohne Konfektionierung

Dimensions: 146 mm x 43.5 mm x 30 mm

[https://www.brumberg.com/fileadmin/products/Datenblatt\\_17823010\\_2021\\_DE.pdf](https://www.brumberg.com/fileadmin/products/Datenblatt_17823010_2021_DE.pdf)

Article no.: 17822010

LED converter 500 mA, trailing-edge phase dimmable

Power: 8 - 20 W, ohne Konfektionierung

Dimensions: 110 mm x 52 mm x 22 mm

[https://www.brumberg.com/fileadmin/products/Datenblatt\\_17822010\\_2021\\_DE.pdf](https://www.brumberg.com/fileadmin/products/Datenblatt_17822010_2021_DE.pdf)

Article no.: 17829010

LED converter 500 mA, trailing-edge phase dimmable

Power: 1 - 24 W, ohne Konfektionierung

Dimensions: 166 mm x 46 mm x 34 mm

[https://www.brumberg.com/fileadmin/products/Datenblatt\\_17829010\\_2021\\_DE.pdf](https://www.brumberg.com/fileadmin/products/Datenblatt_17829010_2021_DE.pdf)

Article no.: 17824010

LED converter 500 mA, 1-10V dimmable (analog)

Power: 5 - 27 W, ohne Konfektionierung

Dimensions: 146 mm x 43.5 mm x 30 mm

[https://www.brumberg.com/fileadmin/products/Datenblatt\\_17824010\\_2021\\_DE.pdf](https://www.brumberg.com/fileadmin/products/Datenblatt_17824010_2021_DE.pdf)

Article no.: 17826010

LED converter 500 mA, DALI dimmable (digital)

Power: 5 - 27 W, ohne Konfektionierung

Dimensions: 146 mm x 44 mm x 30 mm

[https://www.brumberg.com/fileadmin/products/Datenblatt\\_17826010\\_2021\\_DE.pdf](https://www.brumberg.com/fileadmin/products/Datenblatt_17826010_2021_DE.pdf)