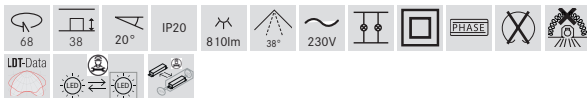
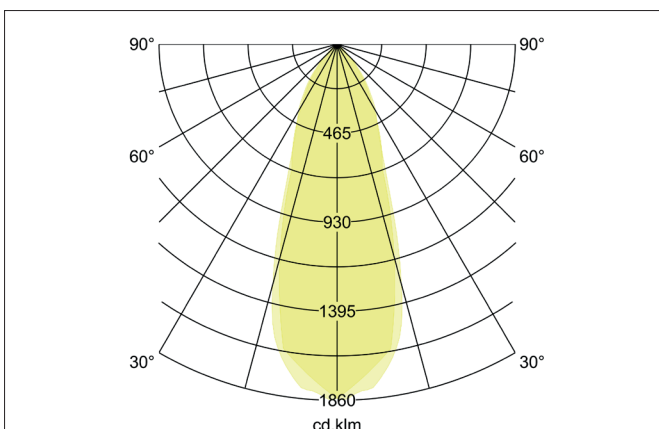
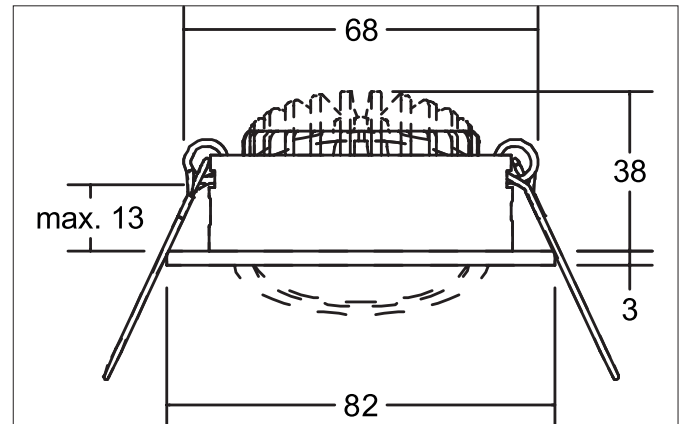



**DISC LED-Einbaustrahler set, mit Linsenoptik, Phasenabschnitt
 dimmbar**

Article no. 39421074


Tender

Round LED recessed spotlight set, with lens optics, dimmable trailing edge, tool-free ceiling installation using installation springs. Ceiling cut-out Ø 68 mm, installation depth 38 mm, outer diameter 82 mm, weight 0.180 kg, silver reflector with rotationally symmetrical deep-wide beam light distribution. Transparent plastic cover, rated luminous flux 810 lm, rated wattage 1 x 6 W, neutral white light color, most similar color temperature (CCT) 4,000 K, general color rendering index CRI > 80, housing material: aluminum / glass, color: white, permissible ambient temperature (ta): -20 °C - +25 °C, protection class (EN 61140): II, degree of protection (DIN EN 60529): IP20. With electronic control gear, trailing edge dimmable.

Product Benefits

- LED-Einbaustrahler in runder Bauform aus massivem Aluminium mit LED-Modul 6 W mit Linsenoptik und dimmbarem Konverter (Phasenabschnitt).
- Deckenausschnitt 68 mm, Durchmesser 82 mm, Einbautiefe 38 mm, IP20.
- Schwenkbereich 30°.
- Ohne sichtbaren Sprengring.
- Klassische, formal zurückgenommene Formgebung.
- In gleicher Optik auch als reine Leuchte für 350 mA (ohne Konverter) und als schaltbares Set lieferbar.


DISC LED-Einbaustrahler set, mit Linsenoptik, Phasenabschnitt dimmbar

Article no. 39421074

Article data	
Article no.	39421074
GTIN	4251433950332
Series name	DISC
Short description	LED-Einbaustrahler set, mit Linsenoptik, Phasenabschnitt dimmbar
Material	Aluminium / Glass
Colour	White
Type of surface	Matt
Shape	Round
Outer diameter	82 mm
Built-in diameter	68 mm
Installation depth	38 mm
Hight	3 mm
Weight	0.180 kg
Conformance	CE, UKCA

Lighting technology	
Colour temperature	4.000 K
Light colour	White
Light output	Direct
Luminous flux	810 lm
System efficiency	135 lm/W
Colour rendering	CRI > 80
Reflector	Faceted
Reflector colour	silver
Beam angle	38°
Light sharing	Symmetric
Adjustable color temperature	No

Operating technology of the luminaire	
System output	6 W
Voltage type	AC
AC nominal voltage max	230 V
Frequency max	50 Hz
Lamp	LED
Protection class	II
Degree of protection	IP20
Dimmable	Yes
Control	Trailing-edge phase
Bulb change possible	The light source of this luminaire may only be replaced by the manufacturer or a service technician commissioned by him or a similarly qualified person.
Energy efficiency class	nicht erforderlich

Operating technology of the luminaire	
Hight	3 mm
Lamp holder	Plug&Play
Power	6 W
Voltage type	DC
Current	350 mA
Lamp	LED
Protection class	III
Degree of protection	IP20
Energy efficiency class	nicht erforderlich
Bulb change possible	Yes


**DISC LED-Einbaustrahler set, mit Linsenoptik, Phasenabschnitt
dimmbar**

Article no. 39421074

Mounting technology	
Mounting method	Recessed mounting
Place of installation	Ceiling-mounted
Adjustability	Pivoted
Swivel angle	20°
Max. ceiling thickness	13 mm
Further references	No cover with thermal insulation material
Material cover	Plastic, transparent
Circlip	Without circlip
Suitable for through-wiring	Yes, with optional accessories

Packing data	
Gross weight	0.236 kg
Length of packaging	95 mm
Packaging width	75 mm
Packaging height	95 mm
Disposal at end of life	This product must not be disposed of with household waste. You are obliged, to dispose of such electrical waste separately. By disposing of electrical waste and other old or defective electronics separately, you support recycling or other forms of re-use. In that way you help to take care and to avoid that harmful substances get into the environment.

Optional accessories	
Article no.: 81201370 Reducing ring D 110 mm, for luminaire cut-out size 68 mm	https://www.brumberg.com/fileadmin/products/Datenblatt_81201370_2021_DE.pdf
Article no.: 81202370 Reducing ring D 130 mm, for luminaire cut-out size 68 mm	https://www.brumberg.com/fileadmin/products/Datenblatt_81202370_2021_DE.pdf
Article no.: 81203370 Reducing ring D 145 mm, for luminaire cut-out size 68 mm	https://www.brumberg.com/fileadmin/products/Datenblatt_81203370_2021_DE.pdf
Article no.: 83330000 Connection box 230 V AC, 3-pole	Dimensions: 80 mm x 41 mm x 34 mm https://www.brumberg.com/fileadmin/products/Datenblatt_83330000_2021_DE.pdf