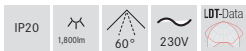
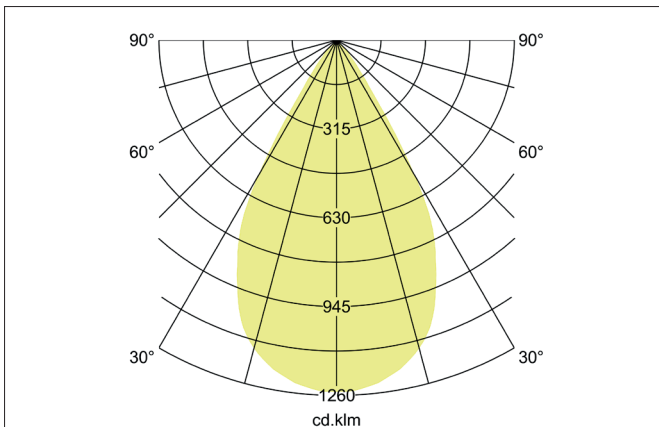
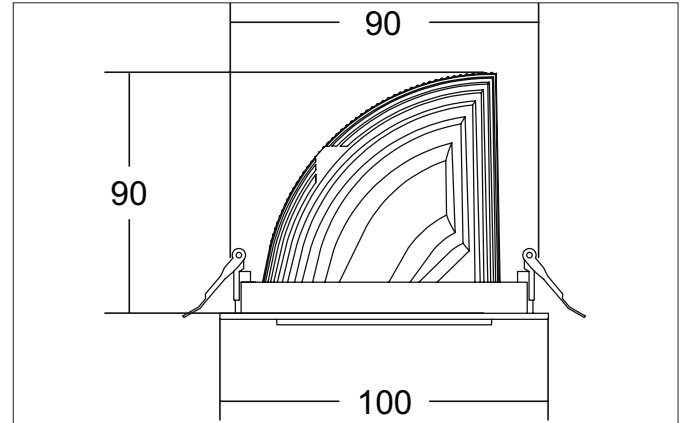


ARTEMIS MICRO LED recessed spotlight, on/off switchable

Article no. 88246174

Light.
For Generations.**Tender**

LED recessed spotlight, on/off switchable, Round. Ceiling cut-out Ø 90 mm, Installation depth 90 mm, Outer diameter 100 mm, Weight 0,400 kg, with rotationssymmetrical, deep, wide distributed light intensity. optimal light distribution due to a glass transparent cover. Luminous flux 1.800 lm, Power 1 x 15 W, Light colour neutral white, Correlated color temperature (CCT) 4.000 K, Colour rendering index CRI > 90, Housing material: Aluminium, Colour: White structure, Permissible ambient temperature (ta): -20 °C - +25 °C, Protection class (EN 61140): II, Degree of protection (DIN EN 60529): IP20, .With electronic driver, on/off switchable.

| Article data | |
|--------------------|---|
| Article no. | 88246174 |
| GTIN | 4251433974451 |
| Series name | ARTEMIS MICRO |
| Short description | LED recessed spotlight, on/off switchable |
| Material | Aluminium |
| Colour | White |
| Type of surface | Structure |
| Shape | Round |
| Outer diameter | 100 mm |
| Built-in diameter | 90 mm |
| Installation depth | 90 mm |
| Weight | 0.400 kg |

ARTEMIS MICRO LED recessed spotlight, on/off switchable

Article no. 88246174

Light.
For Generations.

| Lighting technology | |
|------------------------------|------------|
| Colour temperature | 4.000 K |
| Light colour | White |
| Light output | Direct |
| Luminous flux | 1,800 lm |
| System efficiency | 120 lm/W |
| Colour rendering | CRI > 90 |
| Reflector | High-gloss |
| Beam angle | 60° |
| Light sharing | Symmetric |
| Adjustable color temperature | No |

| Operating technology of the luminaire | |
|---------------------------------------|--|
| Voltage type | AC |
| AC nominal voltage max | 230 V |
| Frequenz max. | 50 Hz |
| Lamp | LED |
| Lamp holder | Without fitting |
| Protection class | II |
| Degree of protection | IP20 |
| Control | on/off |
| Bulb change possible | The light source of this luminaire may only be replaced by the manufacturer or a service technician commissioned by him or a similarly qualified person. |

| Mounting technology | |
|-----------------------------|---|
| Mounting method | Recessed mounting |
| Place of installation | Ceiling-mounted |
| Adjustability | Rotatable and adjustable head |
| Swivel angle | 90° |
| Rotation angle | 350° |
| Head adjustable angle | 90° |
| Further references | No cover with thermal insulation material |
| Material cover | Glass transparent |
| Suitable for through-wiring | No |

| Packing data | |
|-------------------------|---|
| Gross weight | 0.45 kg |
| Length of packaging | 100 mm |
| Packaging width | 100 mm |
| Packaging height | 90 mm |
| Disposal at end of life | This product must not be disposed of with household waste. You are obliged, to dispose of such electrical waste separately. By disposing of electrical waste and other old or defective electronics separately, you support recycling or other forms of re-use. In that way you help to take care and to avoid that harmful substances get into the environment. |