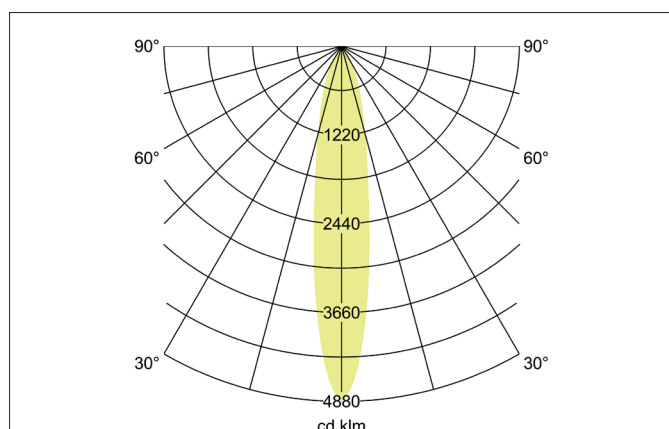
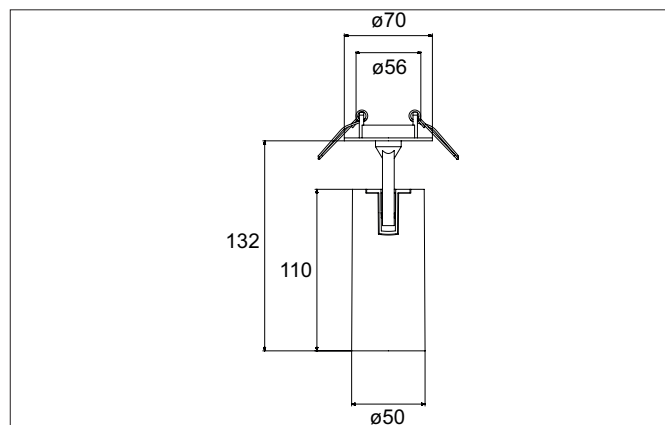


TRAXX MINI LED semi-recessed spotlight, on/off switchable

Article no. 88782185

Light.
For Generations.**Tender**

LED semi-recessed spotlight, on/off switchable, Round. Ceiling cut-out \varnothing 56 mm, Installation depth 50 mm, Weight 0,300 kg, with rotattionssymmetrical, deep, wide distributed light intensity. optimal light distribution due to a glass transparent cover. Luminous flux 1.757 lm, Power 1 x 14,5 W, Light colour neutral white, Correlated color temprature (CCT) 3.500 K, Colour rendering index CRI > 90, Rated life time L80/B50 at 25 °C: 50.000 h, Housing material: Aluminium, Colour: Black structure, Permissible ambient temperature (ta): -20 °C - +25 °C, Protection class (EN 61140): II, Degree of protection (DIN EN 60529): IP20, .With electronic driver, on/off switchable.

| Article data | |
|--------------------|--|
| Article no. | 88782185 |
| GTIN | 4251433975229 |
| Series name | TRAXX MINI |
| Short description | LED semi-recessed spotlight, on/off switchable |
| Material | Aluminium |
| Colour | Black |
| Type of surface | Structure |
| Shape | Round |
| Built-in diameter | 56 mm |
| Installation depth | 50 mm |
| Weight | 0.300 kg |

TRAXX MINI LED semi-recessed spotlight, on/off switchable

Article no. 88782185

Light.
For Generations.

| Lighting technology | |
|---------------------|------------|
| Colour temperature | 3.500 K |
| Light colour | White |
| Light output | Direct |
| Luminous flux | 1,757 lm |
| System efficiency | 121 lm/W |
| Colour rendering | CRI > 90 |
| Reflector | High-gloss |
| Beam angle | 20° |
| Light sharing | Symmetric |

| Operating technology of the luminaire | |
|---------------------------------------|--|
| System output | 14.5 W |
| Voltage type | AC |
| AC nominal voltage max | 230 V |
| Frequenz max. | 50 Hz |
| Lamp | LED |
| Protection class | II |
| Degree of protection | IP20 |
| Control | on/off |
| Bulb change possible | The light source of this luminaire may only be replaced by the manufacturer or a service technician commissioned by him or a similarly qualified person. |
| Rated life time L80/B50 at 25 °C | 50.000 h |

| Mounting technology | |
|-----------------------------|---|
| Mounting method | Recessed mounting |
| Place of installation | Ceiling-mounted |
| Adjustability | Rotable and pivoted |
| Swivel angle | 90° |
| Rotation angle | 350° |
| Head adjustable angle | 90° |
| Further references | No cover with thermal insulation material |
| Material cover | Glass transparent |
| Suitable for through-wiring | No |

| Packing data | |
|-------------------------|---|
| Gross weight | 0.35 kg |
| Length of packaging | 50 mm |
| Packaging width | 50 mm |
| Packaging height | 171 mm |
| Disposal at end of life | This product must not be disposed of with household waste. You are obliged, to dispose of such electrical waste separately. By disposing of electrical waste and other old or defective electronics separately, you support recycling or other forms of re-use. In that way you help to take care and to avoid that harmful substances get into the environment. |