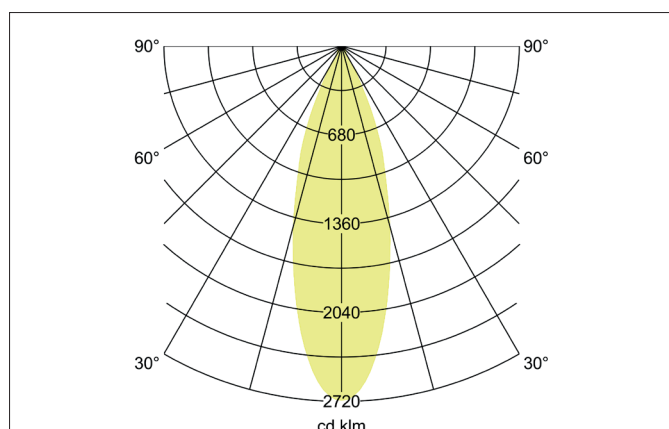
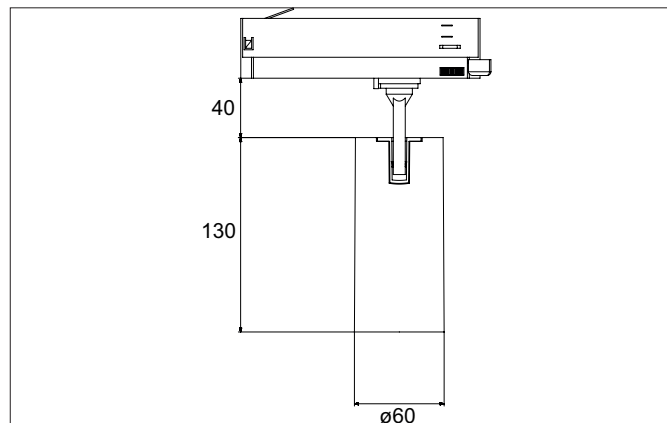


TRAXX MIDI LED track spotlight, DALI

Article no. 88713185DA

Light.
For Generations.**Tender**

LED track spotlight, DALI, Round. Luminaire diameter 60.0 mm, with rotationssymmetrical, deep, wide distributed light intensity. Luminous flux 2.565 lm, Power 1 x 21 W, Light colour neutral white, Correlated color temperature (CCT) 3.500 K, Colour rendering index CRI > 90, Rated life time L80/B50 at 25 °C: 50.000 h, Housing material: Aluminium / Glass / Plastic, Colour: Black structure, Permissible ambient temperature (ta): -20 °C - +25 °C, Protection class (EN 61140): II, Degree of protection (DIN EN 60529): IP20, With electronic driver, DALI-2 dimmable.

| Article data | |
|-------------------|-----------------------------|
| Article no. | 88713185DA |
| GTIN | 4251433987536 |
| Series name | TRAXX MIDI |
| Short description | LED track spotlight, DALI |
| Material | Aluminium / Glass / Plastic |
| Colour | Black |
| Type of surface | Structure |
| Shape | Round |
| Outer diameter | 60 mm |
| Weight | N.N. |

TRAXX MIDI LED track spotlight, DALI

Article no. 88713185DA

Light.
For Generations.

| Lighting technology | |
|------------------------------|------------|
| Colour temperature | 3.500 K |
| Light colour | White |
| Luminous flux | 2,565 lm |
| System efficiency | 122 lm/W |
| Colour rendering | CRI > 90 |
| Reflector | High-gloss |
| Beam angle | 30° |
| Light sharing | Symmetric |
| Adjustable color temperature | No |

| Operating technology of the luminaire | |
|---------------------------------------|--|
| System output | 21 W |
| Voltage type | AC |
| AC nominal voltage max | 230 V |
| Frequenz max. | 50 Hz |
| Lamp | LED |
| Protection class | II |
| Degree of protection | IP20 |
| Control | DALI-2 |
| Bulb change possible | The light source of this luminaire may only be replaced by the manufacturer or a service technician commissioned by him or a similarly qualified person. |
| Rated life time L80/B50 at 25 °C | 50.000 h |

| Mounting technology | |
|-----------------------------|-------------------------------|
| Mounting method | Surface mounting |
| Place of installation | Ceiling-mounted |
| Adjustability | Rotatable and adjustable head |
| Swivel angle | 90° |
| Rotation angle | 350° |
| Head adjustable angle | 90° |
| Suitable for through-wiring | No |

| Packing data | |
|-------------------------|---|
| Gross weight | 0.669 kg |
| Length of packaging | 175 mm |
| Packaging width | 175 mm |
| Packaging height | 115 mm |
| Disposal at end of life | This product must not be disposed of with household waste. You are obliged, to dispose of such electrical waste separately. By disposing of electrical waste and other old or defective electronics separately, you support recycling or other forms of re-use. In that way you help to take care and to avoid that harmful substances get into the environment. |