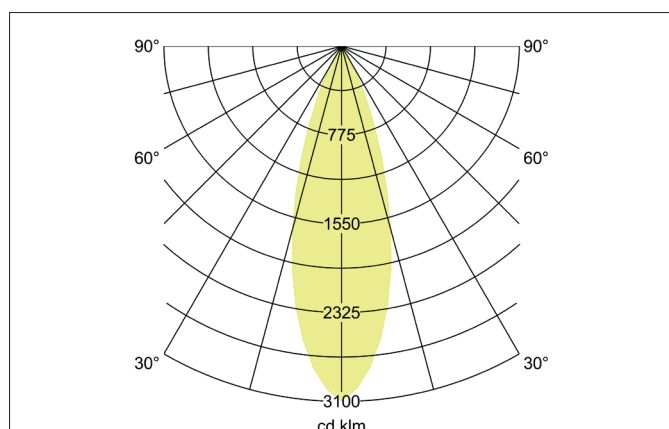
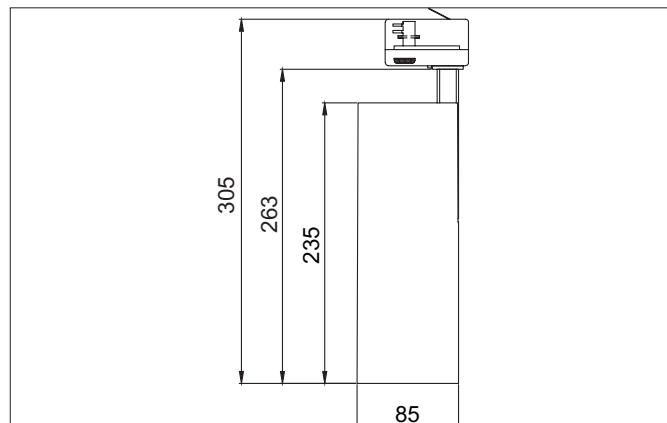


MAXI LED track spotlight, DALI dimmable

Article no. 88397685DA

Light.
For Generations.**Tender**

LED track spotlight, DALI dimmable, Round. Luminaire diameter 85.0 mm, Height 263.0 mm Weight 1.269 kg, with rotationssymmetrical, deep, wide distributed light intensity. Luminous flux 3.617 lm, Power 1 x 32 W, Light colour neutral white, Correlated color temperature (CCT) 3.500 K, Colour rendering index CRI > 90, Housing material: Aluminium, Colour: Silver structure, Permissible ambient temperature (ta): -20 °C - +25 °C, Protection class (EN 61140): I, Degree of protection (DIN EN 60529): IP20, .With electronic driver, on/off switchable.

Article data	
Article no.	88397685DA
GTIN	4251433988755
Series name	MAXI
Short description	LED track spotlight, DALI dimmable
Material	Aluminium
Colour	Silver
Type of surface	Structure
Shape	Round
Outer diameter	85 mm
Length	235 mm
Width	85 mm
Height	263 mm
Weight	1.269 kg

MAXI LED track spotlight, DALI dimmable

Article no. 88397685DA

Light.
For Generations.

Lighting technology	
Colour temperature	3.500 K
Light colour	White
Luminous flux	3,617 lm
System efficiency	113 lm/W
Colour rendering	CRI > 90
Reflector	High-gloss
Beam angle	30°
Light sharing	Symmetric
Adjustable color temperature	No

Operating technology of the luminaire	
System output	32 W
Voltage type	AC
AC nominal voltage max	230 V
Frequenz max.	50 Hz
Lamp	LED
Lamp holder	Without fitting
Protection class	I
Degree of protection	IP20
Control	on/off
Bulb change possible	The light source of this luminaire may only be replaced by the manufacturer or a service technician commissioned by him or a similarly qualified person.

Mounting technology	
Mounting method	Surface mounting
Place of installation	Ceiling-mounted
Adjustability	Rotatable and adjustable head
Swivel angle	180°
Rotation angle	350°
Head adjustable angle	90°
Suitable for through-wiring	No

Packing data	
Gross weight	1.395 kg
Length of packaging	300 mm
Packaging width	200 mm
Packaging height	150 mm
Disposal at end of life	This product must not be disposed of with household waste. You are obliged, to dispose of such electrical waste separately. By disposing of electrical waste and other old or defective electronics separately, you support recycling or other forms of re-use. In that way you help to take care and to avoid that harmful substances get into the environment.