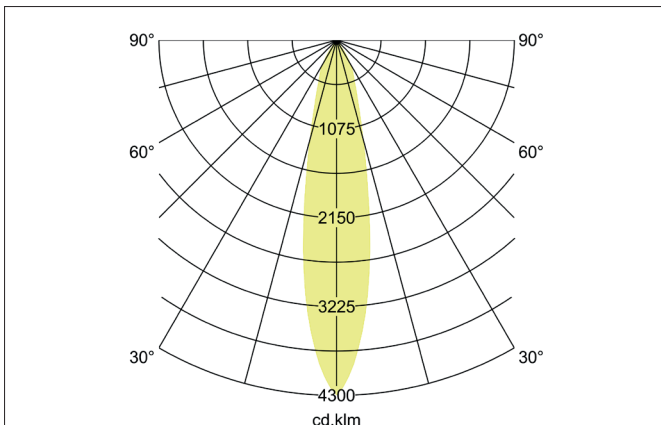
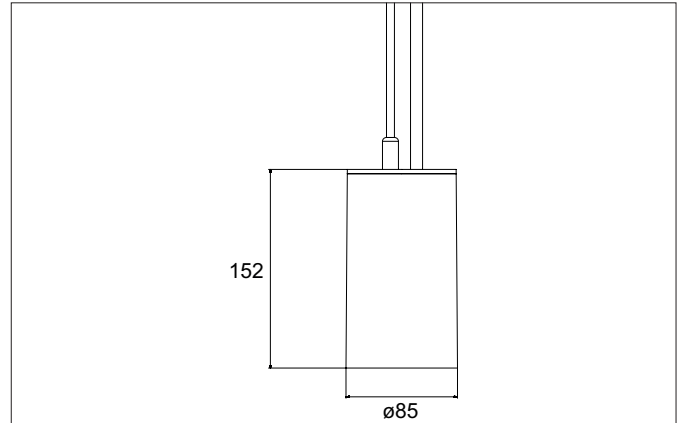


**TRAXX MAXI LED pendant luminaire, on/off switchable**

Article no. 88882184

Light.  
For Generations.**Tender**

LED pendant luminaire, on/off switchable, Round., Hight 163.0 mm, for pendulum mounting. Pendulum length max. 1500.0 mm Weight 0.914 kg, with rotationssymmetrical, deep, wide distributed light intensity. optimal light distribution due to a glass transparent cover. Luminous flux 3.589 lm, Power 1 x 28 W, Light colour neutral white, Correlated color temprature (CCT) 4.000 K, Colour rendering index CRI > 90, Rated life time L80/B50 at 25 °C: 50.000 h, Housing material: Aluminium / Glass / Plastic, Colour: Black structure, Permissible ambient temperature (ta): -20 °C - +25 °C, Protection class (EN 61140): I, Degree of protection (DIN EN 60529): IP20, .With electronic driver, on/off switchable.

| Article data      |  |
|-------------------|--|
| Article no.       | 88882184                                 |
| GTIN              | 4251433979302                            |
| Series name       | TRAXX MAXI                               |
| Short description | LED pendant luminaire, on/off switchable |
| Material          | Aluminium / Glass / Plastic              |
| Colour            | Black                                    |
| Type of surface   | Structure                                |
| Shape             | Round                                    |
| Hight             | 163 mm                                   |
| Weight            | 0.914 kg                                 |

**TRAXX MAXI LED pendant luminaire, on/off switchable**

Article no. 88882184

Light.  
For Generations.

| Lighting technology          |               |
|------------------------------|---------------|
| Colour temperature           | 4.000 K       |
| Light colour                 | White         |
| Light output                 | Direct        |
| Luminous flux                | 3,589 lm      |
| System efficiency            | 128 lm/W      |
| McAdam-Step                  | McAdam-Step 3 |
| Colour rendering             | CRI > 90      |
| Reflector                    | High-gloss    |
| Beam angle                   | 20°           |
| Light sharing                | Symmetric     |
| Adjustable color temperature | No            |

| Operating technology of the luminaire |  |
|---------------------------------------|--|
| System output                         | 28 W   |
| Voltage type                          | AC   |
| AC nominal voltage max                | 230 V  |
| Frequenz max.                         | 50 Hz  |
| Lamp                                  | LED  |
| Lamp holder                           | Without fitting  |
| Protection class                      | I  |
| Degree of protection                  | IP20   |
| Control                               | on/off   |
| Bulb change possible                  | The light source of this luminaire may only be replaced by the manufacturer or a service technician commissioned by him or a similarly qualified person. |
| Rated life time L80/B50 at 25 °C      | 50.000 h   |

| Mounting technology         |                   |
|-----------------------------|-------------------|
| Mounting method             | Suspended         |
| Place of installation       | Ceiling-mounted   |
| Adjustability               | Not adjustable    |
| stamp                       | UKCA              |
| Pendulum length max.        | 1,500 mm          |
| Material cover              | Glass transparent |
| Suitable for through-wiring | No                |

| Packing data            |   |
|-------------------------|---|
| Gross weight            | 0.98 kg   |
| Length of packaging     | 170 mm  |
| Packaging width         | 170 mm  |
| Packaging height        | 110 mm  |
| Disposal at end of life | This product must not be disposed of with household waste. You are obliged, to dispose of such electrical waste separately.<br>By disposing of electrical waste and other old or defective electronics separately, you support recycling or other forms of re-use. In that way you help to take care and to avoid that harmful substances get into the environment. |