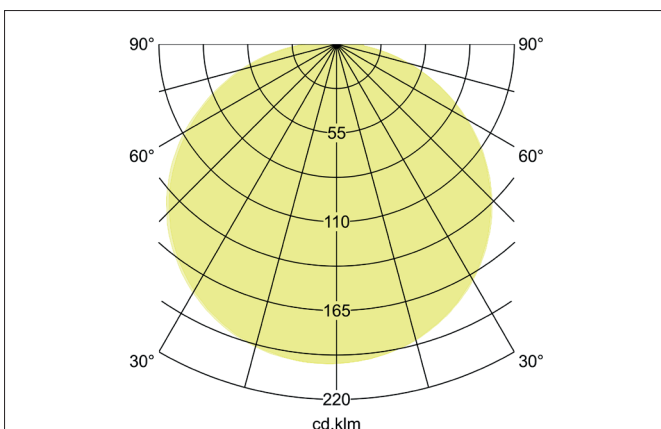
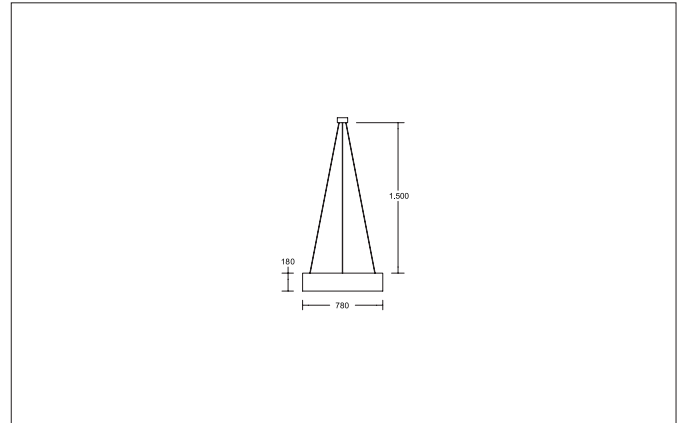


SOFT TUBE MEGA Pendant luminaire, 780 mm
Article no. 58268583

Light.
For Generations.



Tender

Pendant luminaire, 780 mm, nickel satin / shade dark brown grey, Round.Surface mounting, Ceiling-mountedFabric pendant luminaire in cylindrical shape. Polycarbonate foil diffuser. Shade material: chintz, pendant length: 1500 mm. For more available shade variants and special solutions you can download a PDF file for each product online from our website. Luminous flux measured with 5 x 10 W LED retrofit lamp (not included).Lamp holder: E27, Mounting method: Surface mounting, Place of installation: Ceiling-mounted, Degree of protection: according to DIN EN 60529 IP20, Protection class: (EN 61140) I, Voltage: 230V AC 50Hz, Power: 60 W, Amount of light sources / fittings: 5 Qty, without control gear, Control: Other.

Article data	
Article no.	58268583
GTIN	4251433947851
Series name	SOFT TUBE MEGA
Short description	Pendant luminaire, 780 mm
Material	Steel
Colour	Nickel
Type of surface	Matt
Shape	Round
Outer diameter	780 mm
Hight	180 mm
Shade colour	Dark brown gray
Shade material	Chintz
Chintz colour code	66.8003.83
Weight	2.046 kg
Conformance	CE, UKCA

SOFT TUBE MEGA Pendant luminaire, 780 mm

Article no. 58268583

Light.
For Generations.

Operating technology of the luminaire	
Voltage type	AC
AC nominal voltage max	230 V
Frequency max	50 Hz
Lamp	For LED-retrofill lamp
Lamp holder	E27
Protection class	I
Degree of protection	IP20
Control	Other
Bulb change possible	Yes

Mounting technology	
Mounting method	Surface mounting
Place of installation	Ceiling-mounted
Adjustability	Not adjustable
Pendulum length max.	1,500 mm

Packing data	
Gross weight	5.046 kg
Length of packaging	800 mm
Packaging width	800 mm
Packaging height	250 mm
Disposal at end of life	This product must not be disposed of with household waste. You are obliged, to dispose of such electrical waste separately. By disposing of electrical waste and other old or defective electronics separately, you support recycling or other forms of re-use. In that way you help to take care and to avoid that harmful substances get into the environment.