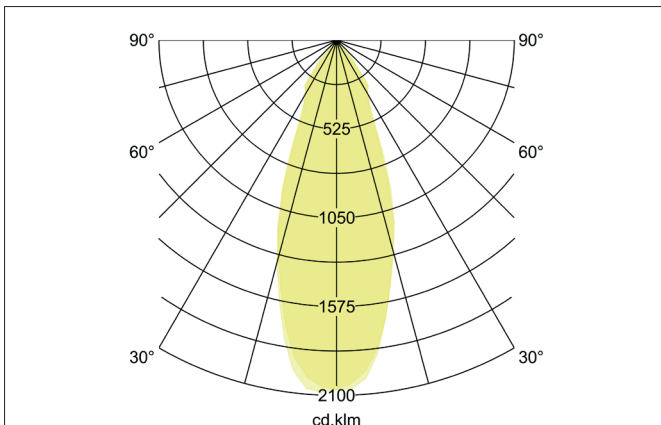
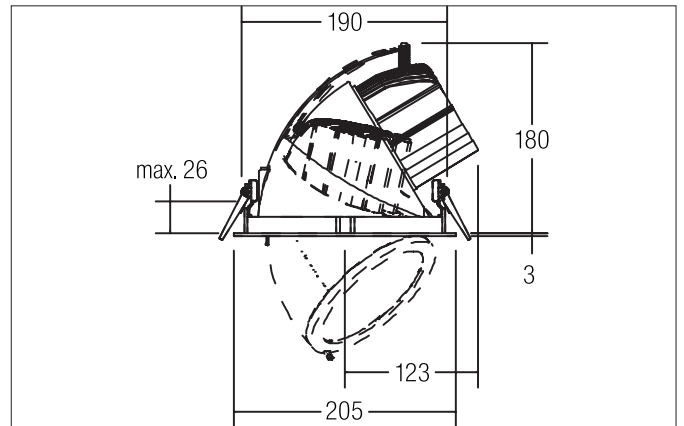


**CORE LED recessed spotlight**

Article no. 88677173

Light.  
For Generations.**Tender**

LED recessed spotlight CORE, Round. Ceiling cut-out Ø 190 mm, Installation depth 180 mm, Outer diameter 205 mm, Weight 1,696 kg, with rotationssymmetrical, deep, wide distributed light intensity. optimal light distribution due to a glass transparent cover. Luminous flux 4.441 lm, Power 1 x 48,9 W, System Efficiency 91 lm/W, Light colour warm white, Correlated color temperature (CCT) 3.000 K, Colour rendering index CRI > 80, Housing material: Aluminium / Glass, Colour: White, Permissible ambient temperature (ta): -20 °C - +25 °C, Protection class (EN 61140): II, Degree of protection (DIN EN 60529): IP20. With electronic driver, on/off switchable.

| Article data       |                        |
|--------------------|------------------------|
| Article no.        | 88677173               |
| GTIN               | 4251433900191          |
| Series name        | CORE                   |
| Short description  | LED recessed spotlight |
| Material           | Aluminium / Glass      |
| Colour             | White                  |
| Type of surface    | Matt                   |
| Shape              | Round                  |
| Outer diameter     | 205 mm                 |
| Built-in diameter  | 190 mm                 |
| Installation depth | 180 mm                 |
| Weight             | 1.696 kg               |

**CORE LED recessed spotlight**

Article no. 88677173

Light.  
For Generations.

| Lighting technology |            |
|---------------------|------------|
| Colour temperature  | 3.000 K    |
| Light colour        | White      |
| Light output        | Direct     |
| Luminous flux       | 4,441 lm   |
| System efficiency   | 91 lm/W    |
| Colour rendering    | CRI > 80   |
| Reflector           | High-gloss |
| Beam angle          | 38°        |
| Light sharing       | Symmetric  |

| Operating technology of the luminaire |  |
|---------------------------------------|--|
| System output                         | 48.9 W   |
| Voltage type                          | AC   |
| AC nominal voltage max                | 230 V  |
| Frequenz max.                         | 50 Hz  |
| Lamp                                  | LED  |
| Protection class                      | II   |
| Degree of protection                  | IP20   |
| Control                               | on/off   |
| Bulb change possible                  | The light source of this luminaire may only be replaced by the manufacturer or a service technician commissioned by him or a similarly qualified person. |

| Mounting technology   |   |
|-----------------------|---|
| Mounting method       | Recessed mounting                         |
| Place of installation | Ceiling-mounted                           |
| Adjustability         | Rotable and pivoted                       |
| Swivel angle          | 45°                                       |
| Rotation angle        | 350°                                      |
| Further references    | No cover with thermal insulation material |
| Material cover        | Glass transparent                         |

| Packing data            |   |
|-------------------------|---|
| Gross weight            | 1.993 kg  |
| Length of packaging     | 240 mm  |
| Packaging width         | 195 mm  |
| Packaging height        | 240 mm  |
| Disposal at end of life | This product must not be disposed of with household waste. You are obliged, to dispose of such electrical waste separately.<br>By disposing of electrical waste and other old or defective electronics separately, you support recycling or other forms of re-use. In that way you help to take care and to avoid that harmful substances get into the environment. |