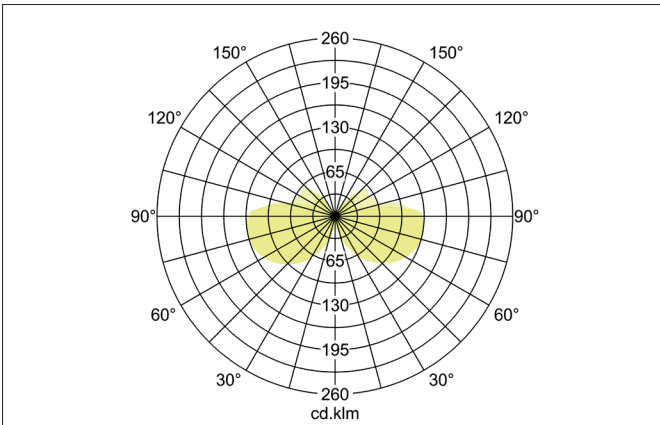
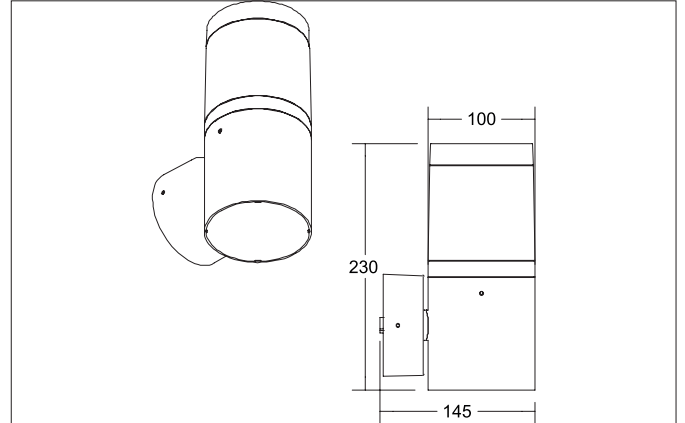


STICK LED wall surface mounted luminaire, IP65
 Article no. 10039183

Tender

LED wall surface mounted luminaire, IP65, Oval., Hight 230.0 mm Weight 1.08 kg, with rotationssymmetrical, deep, wide distributed light intensity. Cover polycarbonat opal. Luminous flux 530 lm, Power 1 x 8 W, Light colour warm white to neutral white, Correlated color temprature (CCT) 3.000 - 4.000 K, Colour rendering index CRI > 80, Housing material: Aluminium / Plastic, Colour: Black, Permissible ambient temperature (ta): -20 °C - +25 °C, Protection class (EN 61140): I, Degree of protection (DIN EN 60529): IP65, shock resistance according to IEC62262: IK08 .With electronic driver, on/off switchable.

Article data	
Article no.	10039183
GTIN	4251433971917
Series name	STICK
Short description	LED wall surface mounted luminaire, IP65
Material	Aluminium / Plastic
Colour	Black
Type of surface	Structure
Shape	Oval
Hight	230 mm
Scope of delivery	Incl. converter for connection to the 230-V mains voltage
Weight	1.080 kg
Conformance	CE, UKCA

STICK LED wall surface mounted luminaire, IP65

Article no. 10039183

Lighting technology	
Colour temperature	3.000 K / 4.000 K
Light colour	White
Color Temperature 1	3,000 K
Color Temperature 2	4,000 K
Light output	Direct
Luminous flux	530 lm
Luminous flux 1	530 lm
Luminous flux 2	610 lm
System efficiency	66 lm/W
Colour rendering	CRI > 80
Reflector	Other
Beam angle	120°
Light sharing	Symmetric
Adjustable color temperature	Stages

Operating technology of the luminaire	
System output	8 W
Voltage type	AC
AC nominal voltage max	230 V
Frequency max	50 Hz
Lamp	LED
Lamp holder	Without fitting
Protection class	I
Degree of protection	IP65
Control	on/off
Bulb change possible	The light source of this luminaire may only be replaced by the manufacturer or a service technician commissioned by him or a similarly qualified person.

Mounting technology	
Mounting method	Surface mounting
Place of installation	Wall-mounted
Adjustability	Not adjustable
Impact resistance	IK08
Material cover	Polycarbonat opal
Suitable for through-wiring	Yes

Packing data	
Gross weight	1.4 kg
Length of packaging	260 mm
Packaging width	165 mm
Packaging height	145 mm
Disposal at end of life	This product must not be disposed of with household waste. You are obliged, to dispose of such electrical waste separately. By disposing of electrical waste and other old or defective electronics separately, you support recycling or other forms of re-use. In that way you help to take care and to avoid that harmful substances get into the environment.