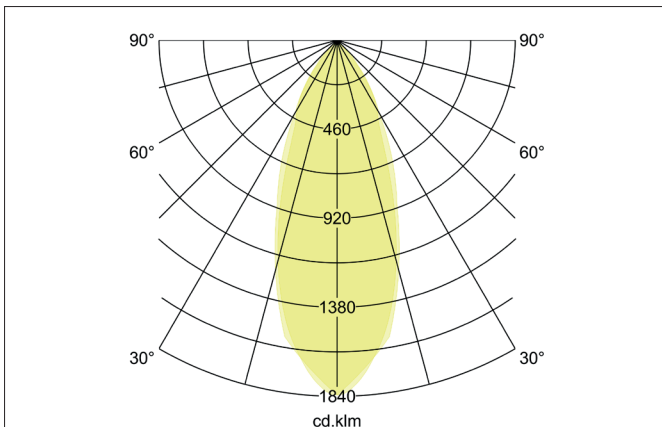
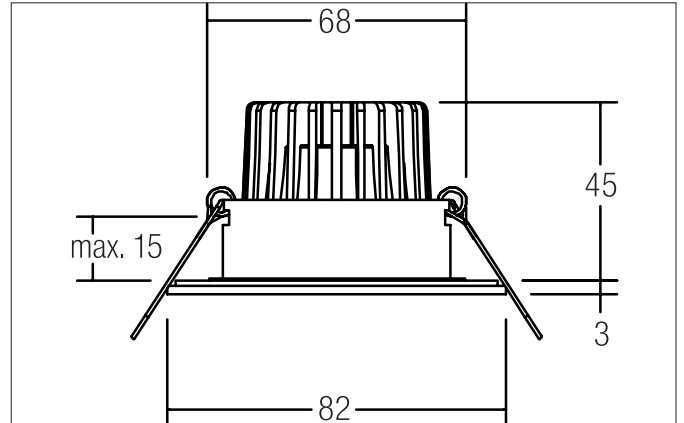


**ITANSA-R BB15 LED recessed downlight set, V4A, IP54, on/off switchable**

Article no. 38375073



**Tender**  
LED recessed downlight set, V4A, IP54, on/off switchable, Round. Toolless ceiling installation by installation springs. Ceiling cut-out Ø 68 mm, Installation depth 45 mm, Outer diameter 82 mm, Weight 0,244 kg, Reflector silver with rotationssymmetrical, deep, wide distributed light intensity. Cover glass transparent. Luminous flux 730 lm, Power 1 x 6 W, Light colour warm white, Correlated color temperature (CCT) 3.000 K, Colour rendering index CRI > 80, Rated life time L80/B20 at 25 °C: 50.000 h, Housing material: Stainless steel / Aluminium / Glass, Colour: White, Permissible ambient temperature (ta): -20 °C - +25 °C, Protection class (EN 61140): II, Degree of protection (DIN EN 60529): IP54 when installing in closed ceilings. With electronic driver, on/off switchable.

Article data	
Article no.	38375073
GTIN	4251433933489
Series name	ITANSA-R BB15
Short description	LED recessed downlight set, V4A, IP54, on/off switchable
Material	Stainless steel / Aluminium / Glass
Colour	White
Type of surface	Matt
Shape	Round
Outer diameter	82 mm
Built-in diameter	68 mm
Installation depth	45 mm
Hight	3 mm
Weight	0.244 kg
Conformance	CE, UKCA

**ITANSA-R BB15 LED recessed downlight set, V4A, IP54, on/off switchable**

Article no. 38375073

Lighting technology	
Colour temperature	3.000 K
Light colour	White
Light output	Direct
Luminous flux	730 lm
System efficiency	122 lm/W
Colour rendering	CRI > 80
Reflector	Faceted
Reflector colour	silver
Beam angle	38°
Light sharing	Symmetric
Adjustable color temperature	No

Operating technology of the luminaire	
Article No. of used light source	12924383
Hight	32 mm
Diameter	50 mm
Lamp holder	Plug&Play
Power	6 W
Voltage type	DC
Current	350 mA
Lamp	LED
Protection class	III
Degree of protection	IP20
Bulb change possible	The light source of this luminaire may only be replaced by the manufacturer or a service technician commissioned by him or a similarly qualified person.

Operating technology of driver	
Article No. of used driver	17662000
Length	68 mm
Width	35 mm
Hight	21 mm
AC nominal voltage min	90 V
AC nominal voltage max	264 V
Frequency max	60 Hz
Dimmable	No
Control	on/off
Starting current	10 A, 10 ms
Power min	1 W
Power	7.2 W
Output current	350 mA
Degree of protection	IP20
Protection class	II
Flicker-free	Yes

Mounting technology	
Mounting method	Recessed mounting
Place of installation	Ceiling-mounted
Adjustability	Not adjustable
Max. ceiling thickness	15 mm
Further references	V4A No cover with thermal insulation material
Material cover	Glass transparent
Circlip	Without circlip
Suitable for through-wiring	Yes, with optional accessories

**ITANSA-R BB15 LED recessed downlight set, V4A, IP54, on/off switchable**

Article no. 38375073

Packing data	
Gross weight	0.28 kg
Length of packaging	95 mm
Packaging width	75 mm
Packaging height	95 mm
Disposal at end of life	<p>This product must not be disposed of with household waste. You are obliged, to dispose of such electrical waste separately.</p> <p>By disposing of electrical waste and other old or defective electronics separately, you support recycling or other forms of re-use. In that way you help to take care and to avoid that harmful substances get into the environment.</p>

Optional accessories	
Article no.: 81204270 Reducing ring D = 110 mm, for luminaire cut-out dimension = 68 mm	<a href="https://www.brumberg.com/fileadmin/products/Datenblatt_81204270_2021_DE.pdf">https://www.brumberg.com/fileadmin/products/Datenblatt_81204270_2021_DE.pdf</a>
Article no.: 81205270 Reducing ring D = 130 mm, for luminaire cut-out dimension = 68 mm	<a href="https://www.brumberg.com/fileadmin/products/Datenblatt_81205270_2021_DE.pdf">https://www.brumberg.com/fileadmin/products/Datenblatt_81205270_2021_DE.pdf</a>
Article no.: 81206270 Reducing ring D = 145 mm, for luminaire cut-out dimension = 68 mm	<a href="https://www.brumberg.com/fileadmin/products/Datenblatt_81206270_2021_DE.pdf">https://www.brumberg.com/fileadmin/products/Datenblatt_81206270_2021_DE.pdf</a>