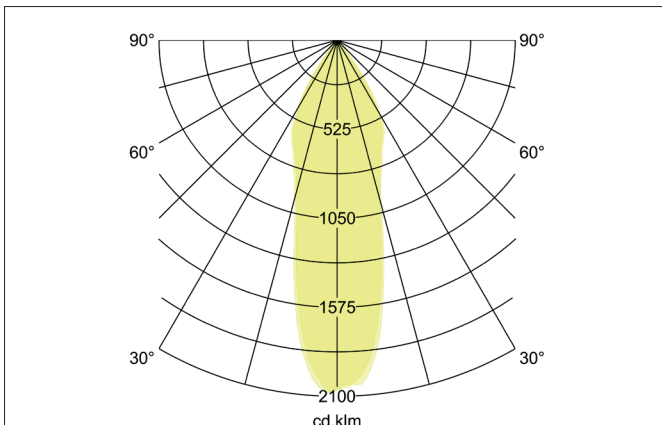
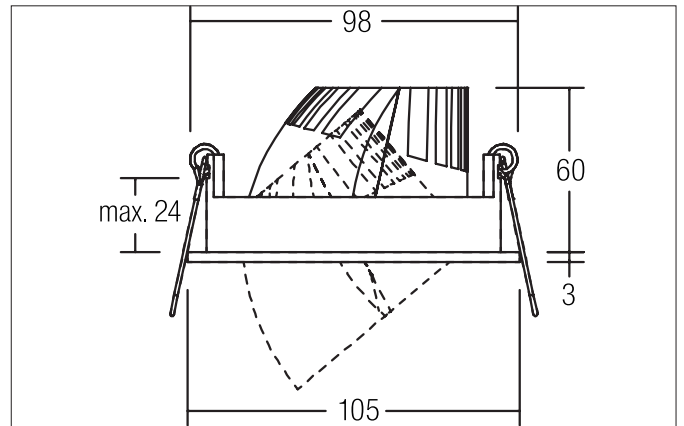


CIRCLE-R LED recessed spot, with all-round light gap

Article no. 12417173


Tender

Round LED recessed spotlight, with all-round light joint, rotatable and tiltable, tool-free ceiling installation using installation springs. Ceiling cut-out \varnothing 98 mm, installation depth 60 mm, outer diameter 105 mm, weight 0.294 kg, silver reflector with rotationally symmetrical deep-wide beam light distribution. Transparent plastic cover, rated luminous flux 700 lm, rated wattage 1 x 9.3 W, warm white light color, most similar color temperature (CCT) 3,000 K, general color rendering index CRI > 90, housing material: aluminum / plastic, color: textured white, permissible ambient temperature (ta): -20 °C - +25 °C, protection class (EN 61140): III, degree of protection (DIN EN 60529): IP20. For connection to an external control gear, which is not included with the luminaire. Dimmable depending on the control gear.

Product Benefits

- Recessed spot in round shape made of solid aluminum.
- Ceiling cut-out 98 mm, diameter 105 mm, Installation depth 60 mm, luminous flux 700 lm, IP20.
- Pivoting range 40°, rotation range 350°.
- Dimmable when using a suitable converter.
- In the same surface structure and in the same color also available in square, rectangular and oval versions.

CIRCLE-R LED recessed spot, with all-round light gap

Article no. 12417173

Article data	
Article no.	12417173
GTIN	4251433916024
Series name	CIRCLE-R
Short description	LED recessed spot, with all-round light gap
Material	Aluminium / Plastic
Colour	White
Type of surface	Structure
Shape	Round
Outer diameter	105 mm
Built-in diameter	98 mm
Installation depth	60 mm
Hight	3 mm
Weight	0.294 kg
Conformance	CE, UKCA

Lighting technology	
Colour temperature	3.000 K
Light colour	White
Light output	Direct
Luminous flux	700 lm
System efficiency	75 lm/W
Colour rendering	CRI > 90
Reflector	Faceted
Reflector colour	silver
Beam angle	32°
Light sharing	Symmetric
Adjustable color temperature	No

Operating technology of the luminaire	
Voltage type	DC
Current	500 mA
Lamp	LED
Protection class	III
Degree of protection	IP20
Dimmable	Depending on type of control gear
Control	Depending on driver
Bulb change possible	The light source of this luminaire may only be replaced by the manufacturer or a service technician commissioned by him or a similarly qualified person.

Mounting technology	
Mounting method	Recessed mounting
Place of installation	Ceiling-mounted
Adjustability	Rotable and pivoted
Swivel angle	40°
Rotation angle	350°
Max. ceiling thickness	24 mm
Further references	No cover with thermal insulation material
Material cover	Plastic, transparent
Suitable for through-wiring	Yes, with optional accessories

CIRCLE-R LED recessed spot, with all-round light gap

Article no. 12417173

Packing data	
Gross weight	0.376 kg
Length of packaging	145 mm
Packaging width	145 mm
Packaging height	85 mm
Disposal at end of life	<p>This product must not be disposed of with household waste. You are obliged, to dispose of such electrical waste separately.</p> <p>By disposing of electrical waste and other old or defective electronics separately, you support recycling or other forms of re-use. In that way you help to take care and to avoid that harmful substances get into the environment.</p>

Required accessories	
Article no.: 17823010 LED converter 500 mA, on/off switchable Power: 1 - 22 W, ohne Konfektionierung Dimensions: 146 mm x 43.5 mm x 30 mm https://www.brumberg.com/fileadmin/products/Datenblatt_17823010_2021_DE.pdf	
Article no.: 17822010 LED converter 500 mA, trailing-edge phase dimmable Power: 8 - 20 W, ohne Konfektionierung Dimensions: 110 mm x 52 mm x 22 mm https://www.brumberg.com/fileadmin/products/Datenblatt_17822010_2021_DE.pdf	
Article no.: 17829010 LED converter 500 mA, trailing-edge phase dimmable Power: 1 - 24 W, ohne Konfektionierung Dimensions: 166 mm x 46 mm x 34 mm https://www.brumberg.com/fileadmin/products/Datenblatt_17829010_2021_DE.pdf	
Article no.: 17824010 LED converter 500 mA, 1-10V dimmable (analog) Power: 5 - 27 W, ohne Konfektionierung Dimensions: 146 mm x 43.5 mm x 30 mm https://www.brumberg.com/fileadmin/products/Datenblatt_17824010_2021_DE.pdf	
Article no.: 17826010 LED converter 500 mA, DALI dimmable (digital) Power: 5 - 27 W, ohne Konfektionierung Dimensions: 146 mm x 44 mm x 30 mm https://www.brumberg.com/fileadmin/products/Datenblatt_17826010_2021_DE.pdf	

Optional accessories	
Article no.: 83330000 Connection box 230 V AC, 3-pole Dimensions: 80 mm x 41 mm x 34 mm https://www.brumberg.com/fileadmin/products/Datenblatt_83330000_2021_DE.pdf	
Article no.: 83331000 Connection box 230 V AC, 5-pole (DALI / 1-10 V) Dimensions: 95 mm x 55 mm x 30 mm https://www.brumberg.com/fileadmin/products/Datenblatt_83331000_2021_DE.pdf	