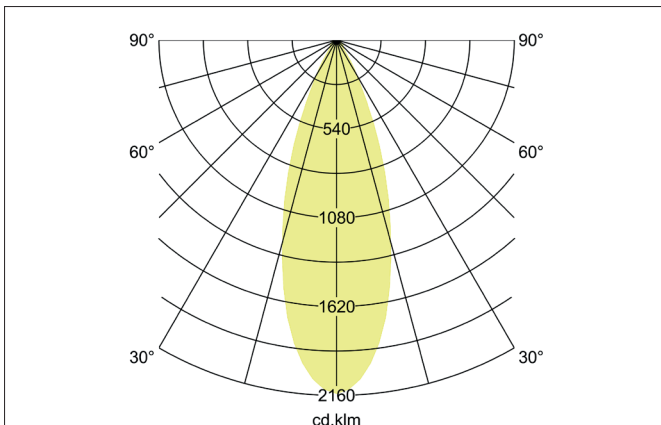
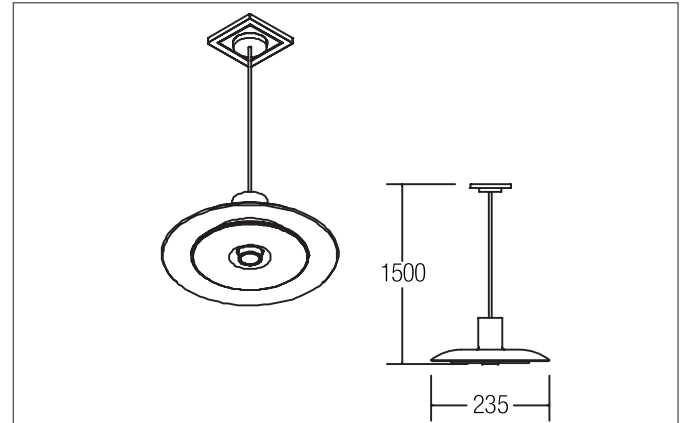


BOWL Plug & Light LED pendant luminaire

Article no. 12717173

Light.
For Generations.**Tender**

Plug & Light LED pendant luminaire, Round., Hight 1500.0 mm, for pendulum mounting. Pendulum length max. 1500.0 mm Weight 0.57 kg, with rotationssymmetrical, deep, wide distributed light intensity. optimal light distribution due to a plastic, structured cover. Luminous flux 480 lm, UGR < 19, Power 1 x 7 W, Light colour warm white, Correlated color temprature (CCT) 3.000 K, Colour rendering index CRI > 85, Housing material: Aluminium / Acrylic, Colour: White structure, Permissible ambient temperature (ta): -20 °C - +25 °C, Protection class (EN 61140): III, Degree of protection (DIN EN 60529): IP20, .For connection to an external driver, which is not included in the scope of delivery of the luminaire. Other dimmable.

| Article data | |
|-------------------|------------------------------------|
| Article no. | 12717173 |
| GTIN | 4251433922803 |
| Series name | BOWL |
| Short description | Plug & Light LED pendant luminaire |
| Material | Aluminium / Acrylic |
| Colour | White |
| Type of surface | Structure |
| Shape | Round |
| Hight | 1500 mm |
| Scope of delivery | Incl. 1,500 mm pendant suspension |
| Weight | 0.570 kg |

BOWL Plug & Light LED pendant luminaire

Article no. 12717173

Light.
For Generations.

| Lighting technology | |
|------------------------------|-----------|
| Colour temperature | 3.000 K |
| Light colour | White |
| Light output | Direct |
| Luminous flux | 480 lm |
| System efficiency | 69 lm/W |
| Colour rendering | CRI > 85 |
| Reflector | Without |
| Beam angle | 35° |
| Glare evaluation | UGR < 19 |
| Light sharing | Symmetric |
| Adjustable color temperature | No |

| Operating technology of the luminaire | |
|---------------------------------------|--|
| System output | 7 W |
| Voltage type | DC |
| DC nominal voltage max | 12 V |
| Lamp | LED |
| Lamp holder | Without fitting |
| Protection class | III |
| Degree of protection | IP20 |
| Dimmable | Depending on type of control gear |
| Control | Other |
| Bulb change possible | The light source of this luminaire may only be replaced by the manufacturer or a service technician commissioned by him or a similarly qualified person. |

| Mounting technology | |
|-----------------------|---------------------|
| Mounting method | Surface mounting |
| Place of installation | Ceiling-mounted |
| Adjustability | Not adjustable |
| stamp | UKCA |
| Pendulum length max. | 1,500 mm |
| Material cover | Plastic, structured |

| Packing data | |
|-------------------------|---|
| Gross weight | 1.155 kg |
| Length of packaging | 310 mm |
| Packaging width | 300 mm |
| Packaging height | 170 mm |
| Disposal at end of life | This product must not be disposed of with household waste. You are obliged, to dispose of such electrical waste separately. By disposing of electrical waste and other old or defective electronics separately, you support recycling or other forms of re-use. In that way you help to take care and to avoid that harmful substances get into the environment. |